

# DC-Link capacitor \_ DCLJ2

## Highlight Features

- High Irms rating
- High Ipeak rating
- Low self-inductance
- High reliability and life expectancy
- Non-polar

## Applications

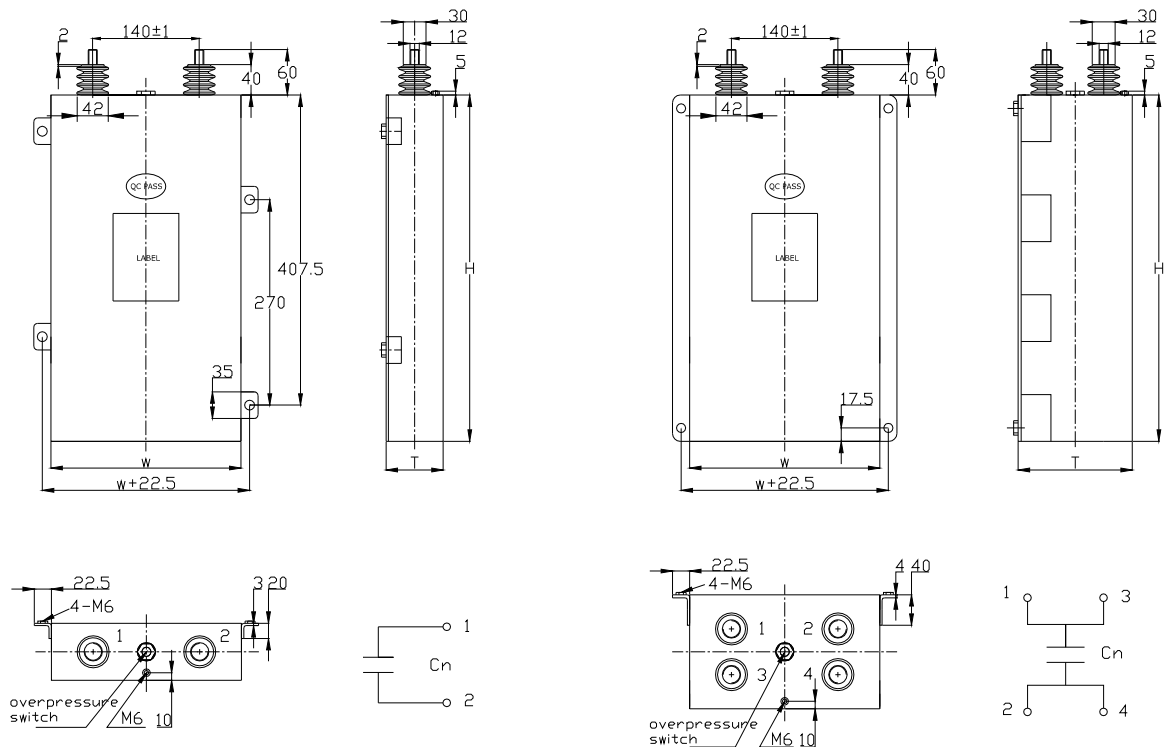
- SVG/ STATCOM
- HVDC
- Wind power converter
- High power welding machine
- Electric locomotive



## Parameter

Rated Capacitance	100 $\mu$ F ~ 10000 $\mu$ F
Rated Voltage	600Vdc~3000VDC
Tolerance	$\pm$ 10% (standard), $\pm$ 5% (upon request)
Dielectric	Metalized polypropylene, Segmented MKP (upon request)
Dissipation factor	$\tan\delta\leq 0.0002$ ( 100Hz , 25 $^{\circ}$ C )
Insulation resistor (RC)	$\geq 20,000s$ ( $U_n$ , 25 $^{\circ}$ C )
Operating temperature (Tw)	-40 $^{\circ}$ C ~ +85 $^{\circ}$ C
Hotspot temperature (Th)	$\leq +85^{\circ}$ C
Storage temperature (Ts)	-40 $^{\circ}$ C ~ +85 $^{\circ}$ C
Altitude	$\leq 2000m$
Life expectancy	100,000 hours at $U_n$ and $Th\leq 70^{\circ}$ C
Test voltage between terminals	1.5 $U_n$ / 10s at 25 $^{\circ}$ C
Test voltage terminal to case	$U_n\leq 1500Vdc$ , 3000Vac/10s , at 50Hz 25 $^{\circ}$ C $U_n > 1500Vdc$ , ( $\sqrt{2}U_n+1000$ )Vac/10s, at 50Hz 25 $^{\circ}$ C
Construction	Dry, Filling with epoxy resin, UL94V-0,Antiflaming,Non-inductive
Case	Stainless steel case
Reference standards	IEC61071-2007, UL94V-0, GB/T17702-2013

## Dimensions



## General specification table

Specification	$U_{NDC}$	C	W	T	H	ESR	$I_{max}$	$R_{th}$	Code
	V	$\mu F$	mm	mm	mm	$m\Omega$	A	$^{\circ}C/W$	
DCLJ2SY 2200-750	2200	750	250	75	455	0.40	100	3.20	I2200L7500UKN6RYU3N
DCLJ2SY 2200-1000	2200	1000	250	90	455	0.36	130	2.90	I2200L1001UKN6RYU3N
DCLJ2SY 2200-1600	2200	1600	250	175	455	0.32	200	2.70	I2200L1601UKN6RYU3N
DCLJ2SY 2200-2000	2200	2000	250	200	455	0.29	220	2.10	I2200L2001UKN6RYU3N
DCLJ2SY 2200-8000	2200	8000	500	270	690	0.09	600	0.37	I2200L8001UKN6RYU3N
DCLJ2SY 2200-10000	2200	10000	500	270	640	0.08	770	0.17	I2200L2202UKN6RYU3N

**Note:** Customized products are available upon request.