

Heavy-duty AC filter capacitor _FFC3

Highlight Features

- Withstand high Irms
- Withstand high frequency: up to 20kHz
- High reliability and life expectancy
- Non-polar

Applications

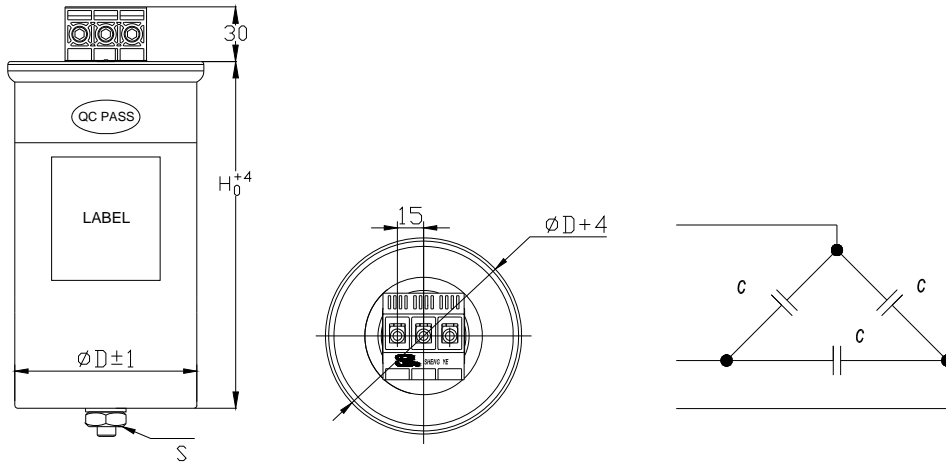
- Heavy-duty AC filter in frequency converter
- Heavy-duty AC filter in wind power converter
- Heavy-duty AC filter in PV inverter
- Heavy-duty AC filter in UPS
- Alternating PFC capacitor in heavy duty state



Parameter

Rated Capacitance	3*17 μ F ~ 3*200 μ F
Rated Voltage	400VAC ~ 850VAC
Tolerance	\pm 10% (standard), \pm 5% (upon request)
Dielectric	Metalized polypropylene
Dissipation factor	$\tan\delta\leq 0.0002$ (100Hz , 25 $^{\circ}$ C)
Operating temperature (Tw)	-40 $^{\circ}$ C ~ +70 $^{\circ}$ C
Hotspot temperature (Th)	\leq +85 $^{\circ}$ C
Storage temperature (Ts)	-40 $^{\circ}$ C ~ +85 $^{\circ}$ C
Altitude	\leq 2000m
Life expectancy	100,000 hours at Un and Th \leq 70 $^{\circ}$ C
Test voltage between terminals	1.5Un(AC) / 10s at 25 $^{\circ}$ C
Test voltage terminal to case	3000VAC / 2s at 25 $^{\circ}$ C, 50/60Hz
Construction	Filling with inert gas/ silicon oil, Non-inductive, over-pressure
Case	Aluminum case
Reference standards	IEC61071-2007, UL810, GB/T 17702-2013

Dimensions



H

General specification table

Specification	C	$\varnothing D$	H	ESR	I_{peak}	I_{max}	R_{th}	Code
	μf	mm	mm	$m\Omega$	A	A	$^{\circ}C/W$	
Urms=400V								
FFC3SY 400-17	3*17	65	150	3*1.25	450	20	6.89	L0400F0170UKD1HDF0P
FFC3SY 400-30	3*30	65	175	3*1.39	890	25	6.25	L0400F0300UKD1HDH0P
FFC3SY 400-50	3*50	76	205	3*1.35	1167	33	4.85	L0400F0500UKD1HEJ0P
FFC3SY 400-66	3*66	76	240	3*1.45	1336	40	3.79	L0400F0660UKD1HELOP
FFC3SY 400-166.7	3*166.7	116	240	3*0.69	1458	54	3.10	L0400F1660UKD1HIL0P
FFC3SY 400-200	3*200	136	240	3*0.45	2657	58	2.86	L0400F2000UKD1HKL0P
Urms=450V								
FFC3SY 450-50	3*50	86	205	3*1.35	802	30	4.36	L0450F0500UKD1HFJ0P
FFC3SY 450-80	3*80	86	285	3*1.89	1467	46	3.69	L0450F0800UKD1HFM0P
FFC3SY 450-100	3*100	96	240	3*1.15	2305	55	3.39	L0450F1000UKD1HGL0P
Urms=525V								
FFC3SY 525-50	3*50	86	240	3*1.75	916	32	3.64	L0525F0500UKD1HFL0P
FFC3SY 525-66	3*66	96	240	3*1.36	1547	44	3.32	L0525F0660UKD1HGL0P
FFC3SY 525-100	3*100	116	240	3*0.95	1833	58	3.10	L0525F1000UKD1HIL0P
Urms=690Vac								
FFC3SY690-25	3*25	86	240	3*2.22	697	29	3.54	L0690F0250UKD1HFL0P
FFC3SY690-33.4	3*33.4	96	240	3*1.81	837	36	3.21	L0690F0330UKD1HGL0P
FFC3SY690-55.7	3*55.7	116	240	3*1.24	1395	44	3.04	L0690F0550UKD1HIL0P
Urms=850Vac								
FFC3SY850-25	3*25	96	240	3*1.95	679	30	3.25	L0850F0250UKD1HGL0P
FFC3SY850-31	3*31	106	240	3*1.57	906	36	2.98	L0850F0310UKD1HHL0P
FFC3SY850-55.7	3*55.7	136	240	3*0.90	1721	49	2.56	L0850F0550UKD1HKL0P

Note: Customized products are available upon request.