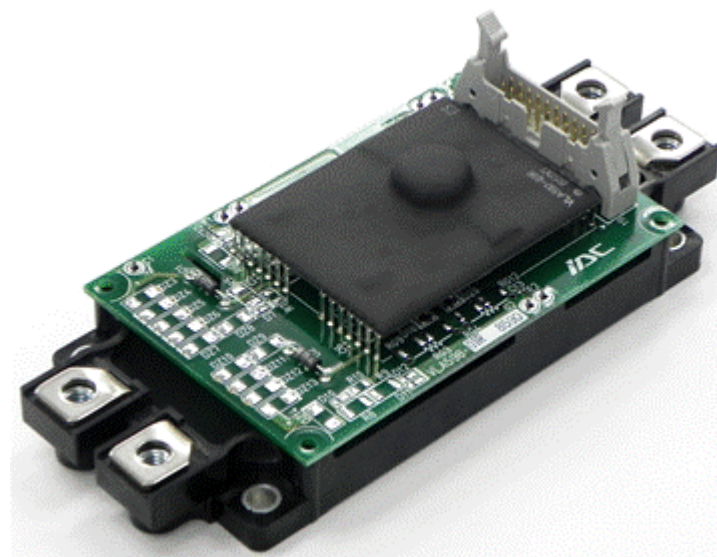


Tentative

IGBT Gate Drive Unit VLA598-01R

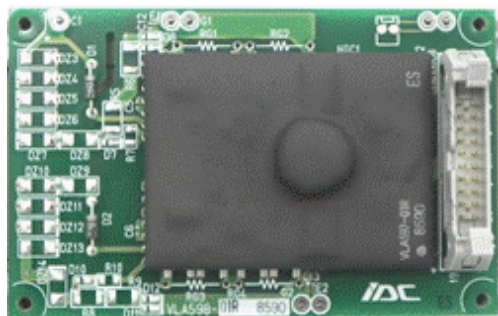


Sep.2018

IGBT Gate Drive Unit VLA598-01R

Tentative

Outline (Image)



Size : 64 x 101 mm

Features

- >Directly mountable on the IGBT module
- >Built in the isolated DC-DC converter for gate drive
- >Output peak current is +/-10A(max)
- >Electrical isolation voltage is 4000Vrms (for 1 minute)
- >Built in short circuit protection with soft shut down
- >One way power supply system for drivers and input signal (VD=15V)

Targeted IGBT Modules

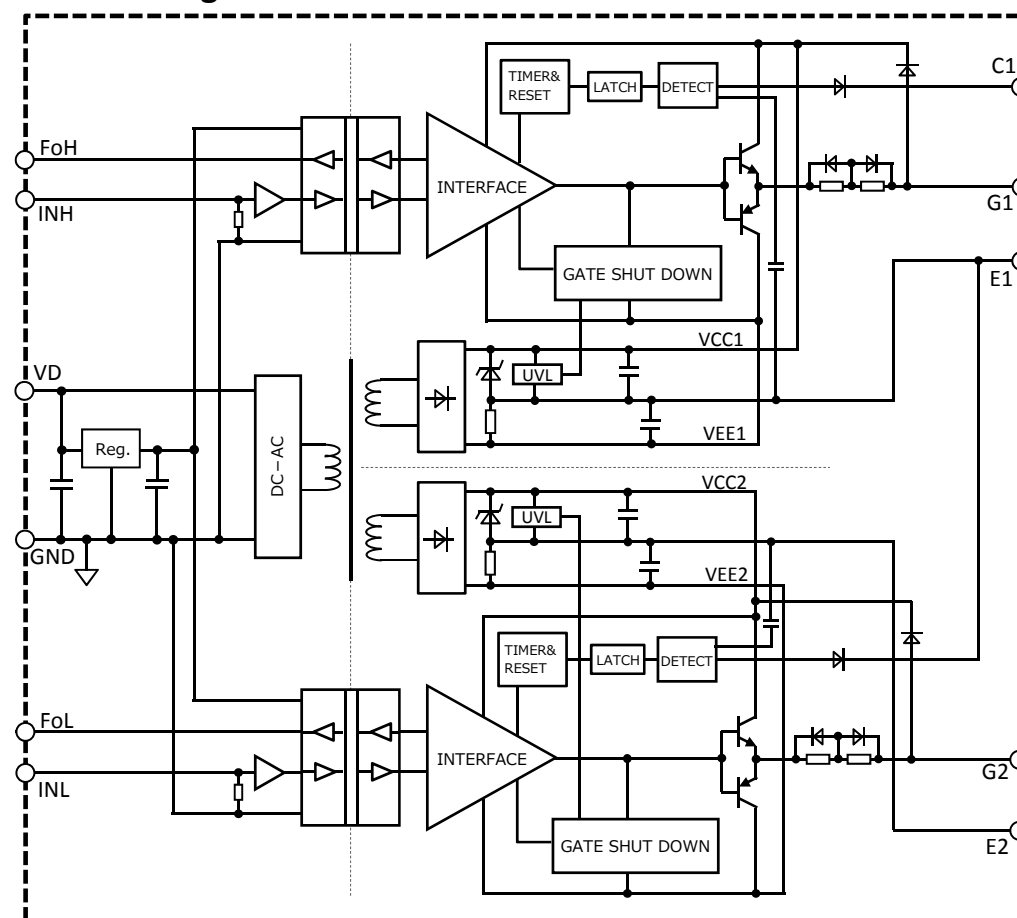
VCEs:1200V series ~ 800A class

VCEs:1700V series ~ 600A class

Applications

To drive IGBT modules for inverter or AC servo system application

Block Diagram



Tentative

Maximum ratings (unless otherwise noted, Ta=25C)

Symbol	Item	Conditions	Ratings	Unit
VD	Supply voltage	DC	-1 ~ 16.5	V
VI	Input signal voltage	Applied between GND - INH,INL	19	V
I_Fo	Fo output current	Sink and source current of Fo terminal	+/-10	mA
IOHP	Output peak current	Pulse width 3us	-10	A
IOLP			10	A
Viso	Isolation voltage between primary and secondary	Sine wave voltage 60Hz, for 1min	4000	Vrms
Topr	Operating temperature	No condensation allowable	-40 ~ 85	deg C
Tstg	Storage temperature	No condensation allowable	-40 ~ 85	deg C
Idrive	Gate drive current	Gate average current (Per one circuit)	72	mA
VDC_Link	Main circuit voltage	The power supply voltage between P and N	1200	V

Electrical characteristics (unless otherwise noted, Ta=25 degC, VD=15V, f=5kHz)

Symbol	Item	Conditions	Limits			Unit
			Min	Typ	Max	
VD	Supply voltage	Recommended range	14.5	15	15.5	V
f	Switching frequency	Recommended range It is limited by gate average current (max:72mA)	-	-	14	kHz
RG	Gate resistance	Recommended range	1	-	-	ohm
VI	Input signal voltage	Recommended range	4.5	-	15.5	V
I_Fo	Fo output current	Recommended range	-4	-	4	mA
VI_H	Input signal high threshold	-	1.8	2.1	2.4	V
VI_L	Input signal low threshold	-	0.9	1.2	1.5	V
VOH	Plus bias output voltage	Input "H"(High active)	13.5	15.2	16.5	V
VOL	Minus bias output voltage	Input "L"	-	-8	-	V
tPLH	"L-H" propagation time	RG=2.2Ω, f=5kHz, C_load:0.22uF	-	TBD	-	us
tPHL	"H-L" propagation time	RG=2.2Ω, f=5kHz, C_load:0.22uF	-	TBD	-	us
ttimer	Timer	Between start and cancel of protection (Under input signal is off state)	1	-	2	ms
UVLO+_VCC	Under voltage lock out	VCC voltage (Operation start)	-	TBD	-	V
UVLO-_VCC	Under voltage lock out	VCC voltage (Operation stop)	-	TBD	-	V
VSC	SC detect voltage	Collector voltage of IGBT	15	-	-	V

*1 : It depends on the condition of use, but actual clamp voltage of collector approximately rises by 300V from 200V to Vz.



Tentative

Calculation for gate drive current (gate average current)

This product has isolated DCDC converter built in for gate drive.
 The maximum output average current is 72mA per one channel.
 This current means maximum gate average current.
 When you decide the switching frequency,
 please check the gate average current by next formula.

$$I_{drive} = (Q1 + |Q2|) \times f \quad \leftarrow \text{It must be less than 72mA}$$

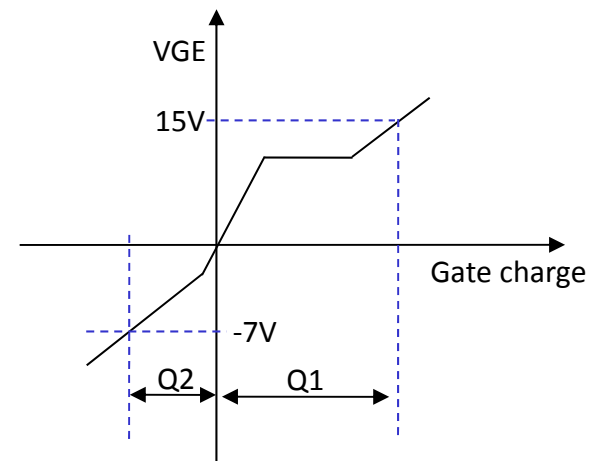
I_{drive} : Gate average current

$Q1$: Gate charge at +15V (Read from data sheet of IGBT)

$Q2$: Gate charge at -7V (Read from data sheet of IGBT)

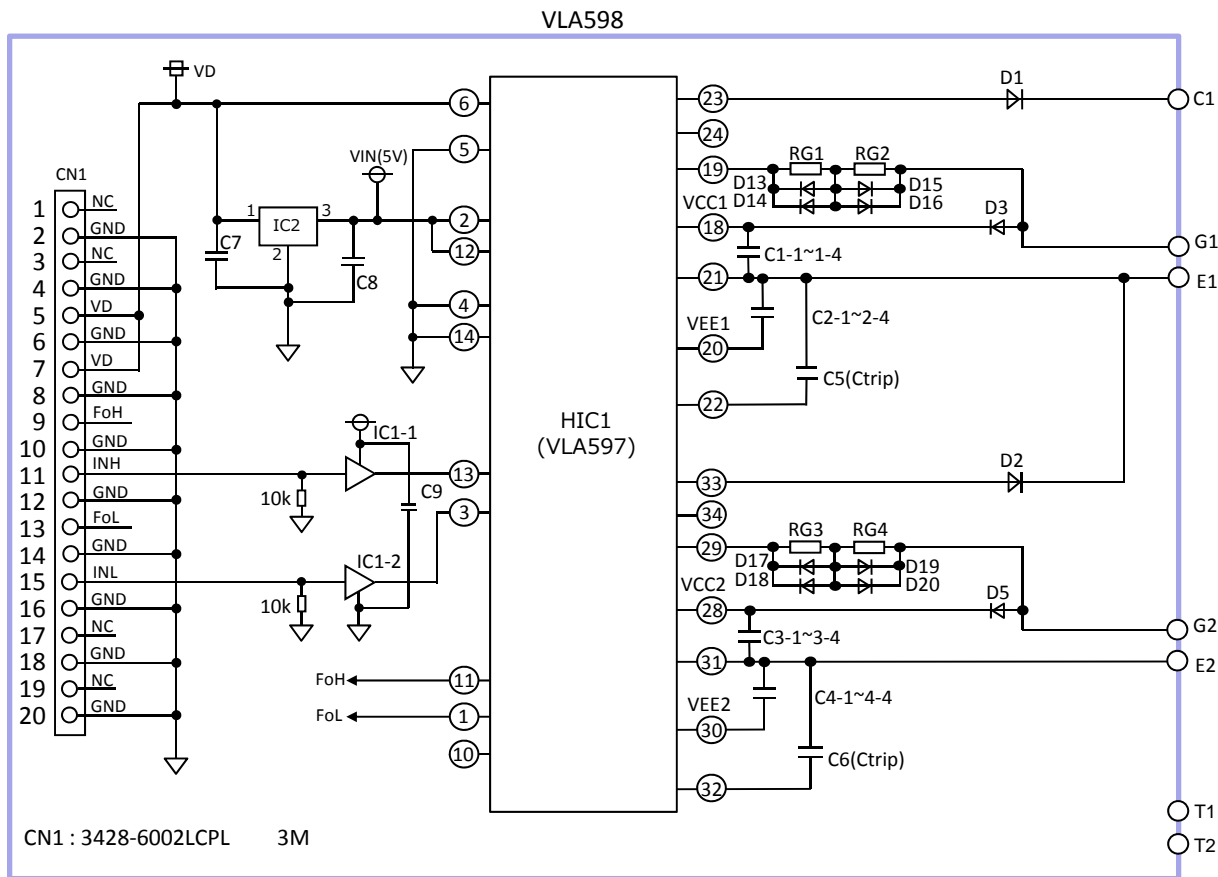
f : Switching frequency of IGBT

Gate charge characteristic of IGBT



Circuit diagram

Tentative



CN1	
PinN.o.	Pin name
1	NC
2	GND
3	NC
4	GND
5	VD
6	GND
7	VD
8	GND
9	FoH
10	GND
11	INH
12	GND
13	FoL
14	GND
15	INL
16	GND
17	NC
18	GND
19	NC
20	GND

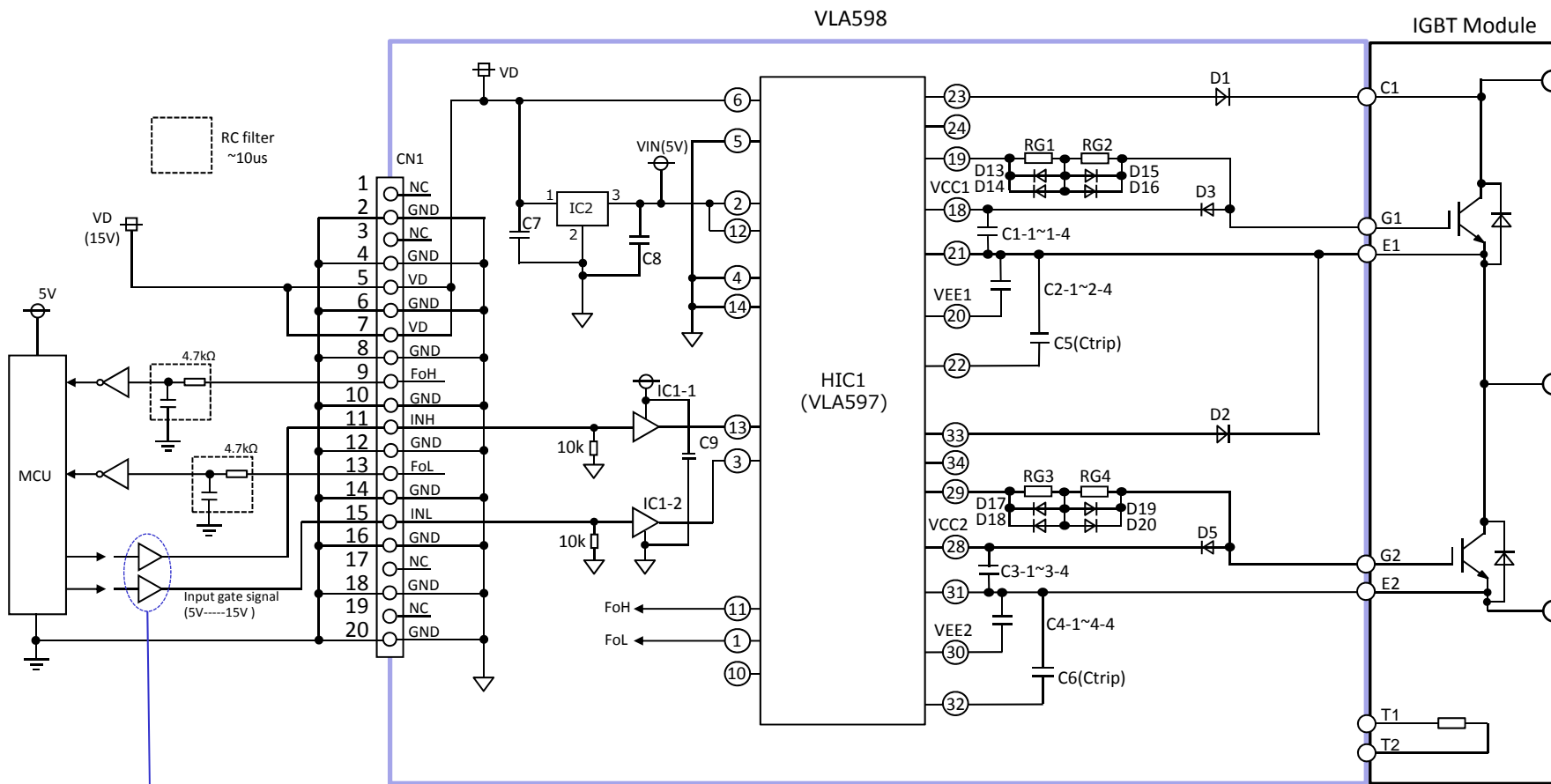
Note

- 1) There is not Gate Resistors at the initial state.
So please solder the chosen resistor.



Application example

Tentative

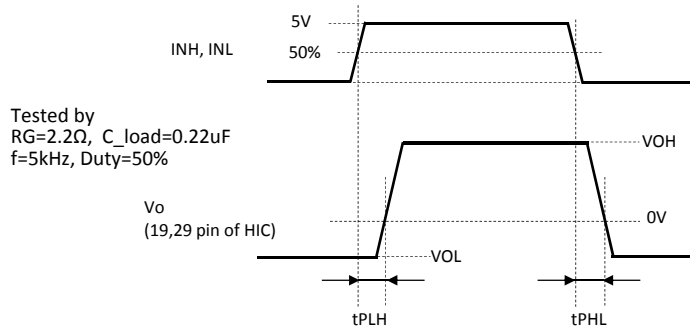


Note) About the IC which drives gate signal on input side, it is not recommended to use the one whose output is open collector or open drain type.

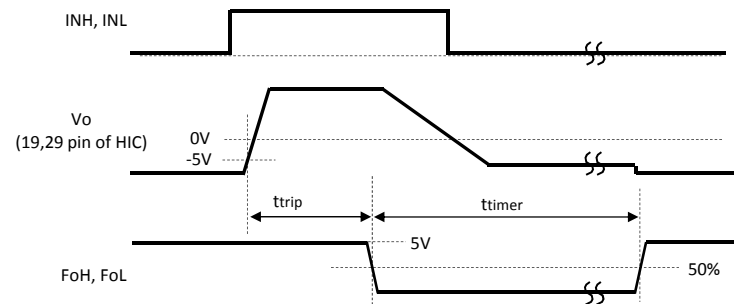


Definition of characteristics

Switching operation

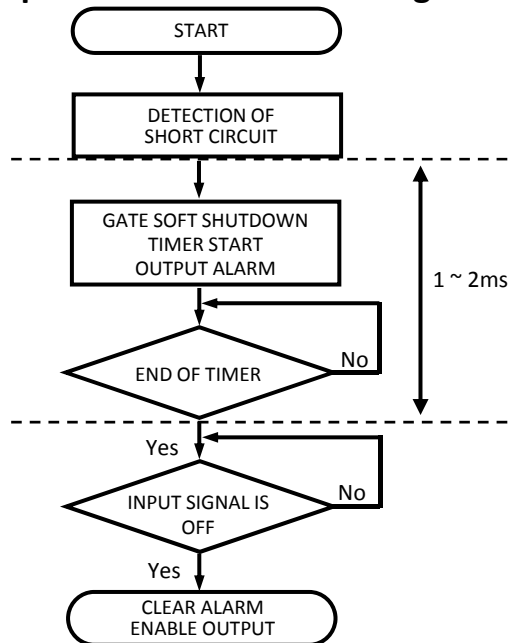


Operation of short circuit protection



Tentative

Operation flow on detecting short circuit



Operation of protection circuit

- (1) In case the gate voltage is "H" and the collector voltage is high, this drive unit will recognize the circuit as short circuit and reduce the gate voltage (soft shut down). Besides, put out error signal ("L") which inform that protection circuit is operating at the same time from Fo terminal (9,13 pin of CN1).
- (2) The protection circuit reset and resort to ordinary condition if input signal is "OFF" when the premised 1~2msec passed. ("OFF" period needs 10us or more)
- (3) When the output rises, the masked time detect short circuit (ttrip) is set up so that on-time of IGBT can be secured properly.

Latch & Timer reset system in short-circuit protection circuit

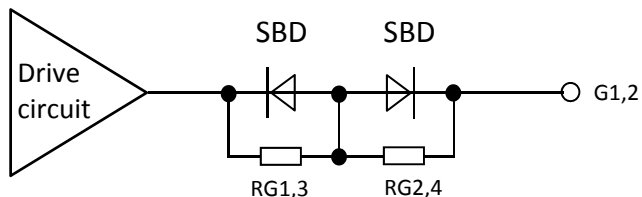
Once the short-circuit protection circuit starts, it shuts down the gate output and keeps alarm output, causing the latch status. This status is canceled if the input signal is OFF when specific time elapses after the activation of the short-circuit protection circuit. Then, gate output depending on input signals becomes possible. If the input signal is ON when specific time elapses, the latch status is not canceled: it is canceled when the signal becomes OFF.

As mentioned above, on the latch & timer reset system, the latch status is resulted after activation of the protection circuit and shutdown of the gate output. Therefore, during this period, gate output is not made no matter how much input signals are received. For this reason, it is possible to safely stop the entire equipment by sending error signals to the microcomputer during this period to stop all gate signals.

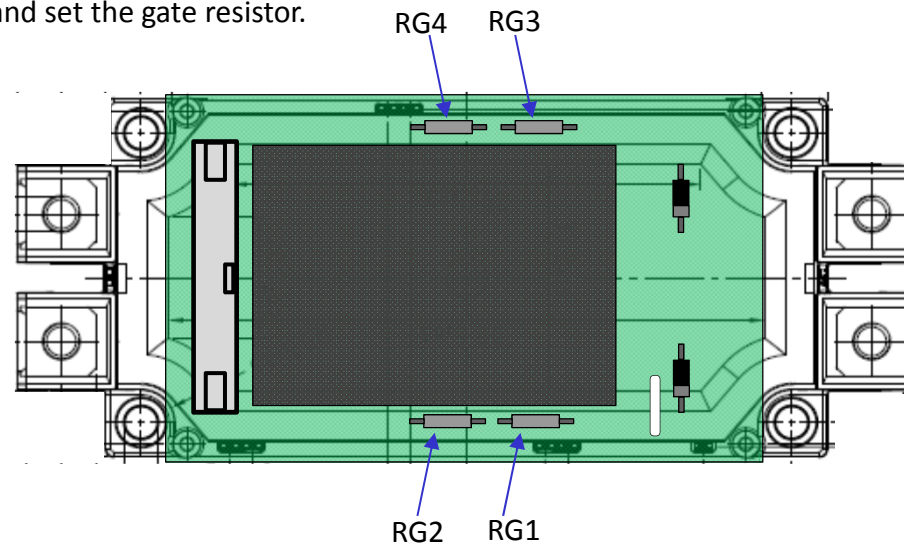
About mounting gate resistor

Tentative

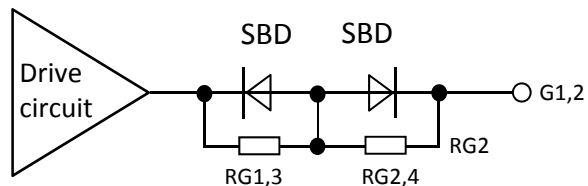
There is not Gate Resistors at the initial state.
 It is possible to install up to 2 resistors in mount area of gate resistor per one channel.
 And there are some variations by combining resistor.
 There are some examples in the following chart, please refer to it and set the gate resistor.
 And please solder the chosen resistor.



Layout pattern connection on substrate

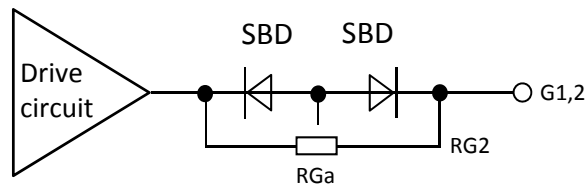


Example 1



RG_on → RG1,3
 RG_off → RG2,4

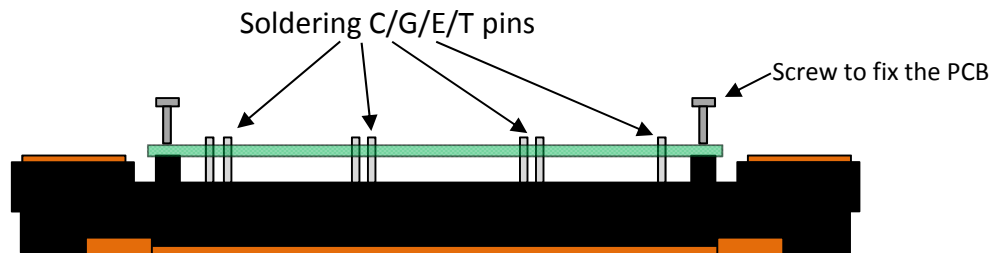
Example 2



RG_on → RGa
 RG_off → RGa

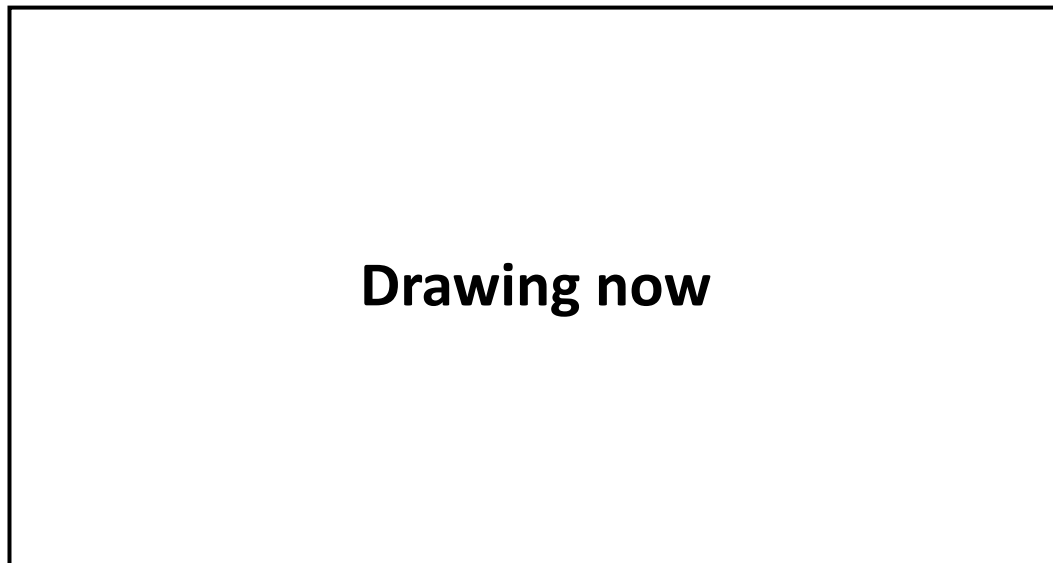
Installation of the PCB on IGBT module

Tentative



Note) Temperature of soldering iron tip : 360°C (max) under 5 seconds

Outline & Size



Note

1) There is not Gate Resistors at the initial state. So please solder the chosen resistor.

Keep safety first in your circuit designs!

·ISAHAYA Electronics Corporation puts the maximum effort into making semiconductor products better and more reliable, but there is always the possibility that trouble may occur with them. Trouble with semiconductors may lead to personal injury, fire or property damage. Remember to give due consideration to safety when making your circuit designs, with appropriate measures such as (1) placement of substitutive, auxiliary circuits, (2) use of non-flammable material or (3) prevention against any malfunction or mishap.

Notes regarding these materials

- These materials are intended as a reference to our customers in the selection of the ISAHAYA products best suited to the customer's application; they don't convey any license under any intellectual property rights, or any other rights, belonging to ISAHAYA or third party.
- ISAHAYA Electronics Corporation assumes no responsibility for any damage, or infringement of any third party's rights, originating in the use of any product data, diagrams, charts or circuit application examples contained in these materials.
- All information contained in these materials, including product data, diagrams and charts, represent information on products at the time of publication of these materials, and are subject to change by ISAHAYA Electronics Corporation without notice due to product improvements or other reasons. It is therefore recommended that customers contact ISAHAYA Electronics Corporation or an authorized ISAHAYA products distributor for the latest product information before purchasing product listed herein.
- ISAHAYA Electronics Corporation products are not designed or manufactured for use in a device or system that is used under circumstances in which human life is potentially at stake. Please contact ISAHAYA Electronics Corporation or an authorized ISAHAYA products distributor when considering the use of a product contained herein for any specific purposes, such as apparatus or systems for transportation, vehicular, medical, aerospace, nuclear, or undersea repeater use.
- The prior written approval of ISAHAYA Electronics Corporation is necessary to reprint or reproduce in whole or in part these materials.
- If these products or technologies are subject to the Japanese export control restrictions, they must be exported under a license from the Japanese government and cannot be imported into a country other than the approved destination. Any diversion or re-export contrary to the export control laws and regulations of Japan and/or the country of destination is prohibited.
- Please contact ISAHAYA Electronics Corporation or authorized ISAHAYA products distributor for further details on these materials or the products contained therein.

