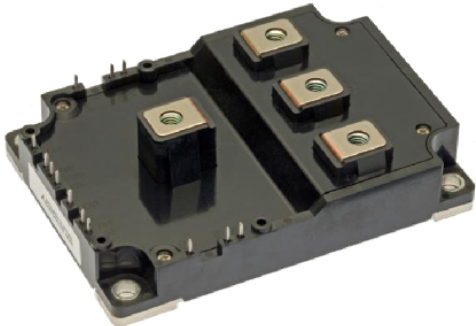


<IGBT Modules>

CM400ST-24S1

HIGH POWER SWITCHING USE
INSULATED TYPE



fourpack (BRIDGE & AC SWITCH)

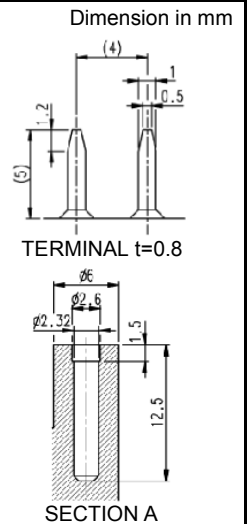
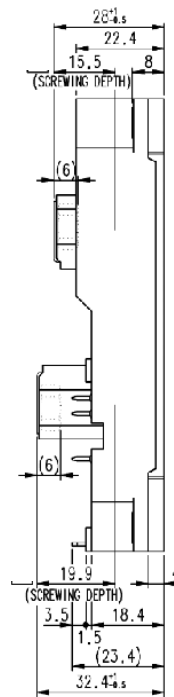
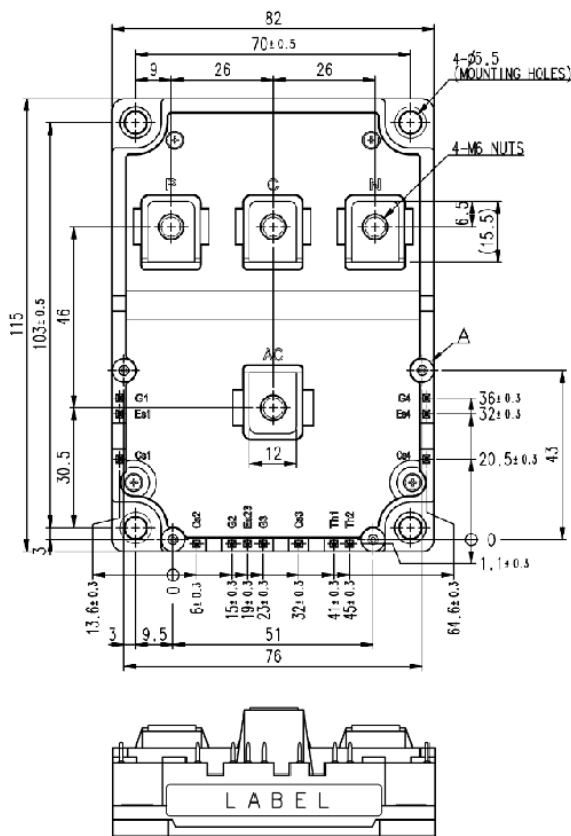
Collector current I_C 4 0 0 A
 Collector-emitter voltage V_{CES}
 BRIDGE 1 2 0 0 V
 AC SWITCH 6 5 0 V
 Maximum junction temperature T_{vjmax} 1 7 5 °C

- Flat base Type
- Copper base plate
- Tin plating pin terminals
- RoHS Directive compliant*
- Recognized under UL1557, File E323585

APPLICATION

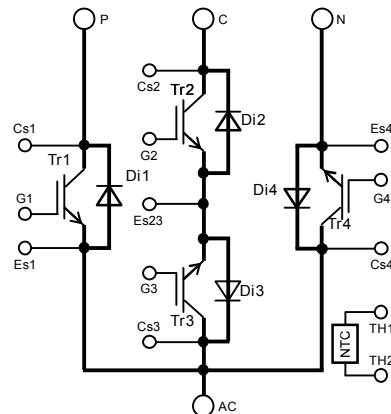
3level inverter, UPS, PV

OUTLINE DRAWING & INTERNAL CONNECTION



Tolerance otherwise specified

Division of Dimension	Tolerance
0.5 to 3	±0.2
over 3 to 6	±0.3
over 6 to 30	±0.5
over 30 to 120	±0.8
over 120 to 400	±1.2



BRIDGE
 - IGBT : Tr1, Tr4
 - DIODE : Di1, Di4
AC SWITCH
 - IGBT : Tr2, Tr3
 - DIODE : Di2, Di3

CM400ST-24S1

HIGH POWER SWITCHING USE
INSULATED TYPE

MAXIMUM RATINGS ($T_{vj}=25\text{ }^{\circ}\text{C}$, unless otherwise specified)

BRIDGE PART IGBT/DIODE (Tr1, Tr4, Di1, Di4)

Symbol	Item	Conditions	Rating	Unit
V_{CES}	Collector-emitter voltage	G-E short-circuited	1200	V
V_{GES}	Gate-emitter voltage	C-E short-circuited	± 20	V
I_C	Collector current	DC, $T_C=103\text{ }^{\circ}\text{C}$ (Note2, 4)	400	A
I_{CRM}		Pulse, Repetitive, $V_{GE}=15\text{ V}$ (Note3)	800	
P_{tot}	Total power dissipation	$T_C=25\text{ }^{\circ}\text{C}$ (Note2, 4)	2340	W
I_E (Note1)	Emitter current	DC (Note2)	400	A
I_{ERM} (Note1)		Pulse, Repetitive (Note3)	800	

AC SWITCH PART IGBT/DIODE (Tr2, Tr3, Di2, Di3)

Symbol	Item	Conditions	Rating	Unit
V_{CES}	Collector-emitter voltage	G-E short-circuited	650	V
V_{GES}	Gate-emitter voltage	C-E short-circuited	± 20	V
I_C	Collector current	DC, $T_C=95\text{ }^{\circ}\text{C}$ (Note2, 4)	400	A
I_{CRM}		Pulse, Repetitive, $V_{GE}=15\text{ V}$ (Note3)	800	
P_{tot}	Total power dissipation	$T_C=25\text{ }^{\circ}\text{C}$ (Note2, 4)	1415	W
I_E (Note1)	Emitter current	DC (Note2)	400	A
I_{ERM} (Note1)		Pulse, Repetitive (Note3)	800	

MODULE

Symbol	Item	Conditions	Rating	Unit
V_{isol}	Isolation voltage	Terminals to base plate, RMS, $f=60\text{ Hz}$, AC 1 min	4000	V
T_{vjmax}	Maximum junction temperature	Instantaneous event (overload)	175	$^{\circ}\text{C}$
T_{Cmax}	Maximum case temperature	(Note4)	125	
T_{vjop}	Operating junction temperature	Continuous operation (under switching)	-40 ~ +150	$^{\circ}\text{C}$
T_{stg}	Storage temperature	-	-40 ~ +125	

ELECTRICAL CHARACTERISTICS ($T_{vj}=25\text{ }^{\circ}\text{C}$, unless otherwise specified)

BRIDGE PART IGBT/DIODE (Tr1, Tr4, Di1, Di4)

Symbol	Item	Conditions	Limits			Unit	
			Min.	Typ.	Max.		
I_{CES}	Collector-emitter cut-off current	$V_{CE}=V_{CES}$, G-E short-circuited	-	-	1.0	mA	
I_{GES}	Gate-emitter leakage current	$V_{GE}=V_{GES}$, C-E short-circuited	-	-	0.5	μA	
$V_{GE(th)}$	Gate-emitter threshold voltage	$I_C=40\text{ mA}$, $V_{CE}=10\text{ V}$	5.4	6.0	6.6	V	
V_{CESat} (Terminal)	Collector-emitter saturation voltage	$I_C=400\text{ A}$, $V_{GE}=15\text{ V}$, Auxiliary Terminal (Note5)	$T_{vj}=25\text{ }^{\circ}\text{C}$	-	1.80	2.25	V
			$T_{vj}=125\text{ }^{\circ}\text{C}$	-	2.00	-	
			$T_{vj}=150\text{ }^{\circ}\text{C}$	-	2.05	-	
V_{CESat} (Chip)	Chip (Note5)	$I_C=400\text{ A}$, $V_{GE}=15\text{ V}$, Chip (Note5)	$T_{vj}=25\text{ }^{\circ}\text{C}$	-	1.70	2.15	V
			$T_{vj}=125\text{ }^{\circ}\text{C}$	-	1.90	-	
			$T_{vj}=150\text{ }^{\circ}\text{C}$	-	1.95	-	
C_{ies}	Input capacitance	$V_{CE}=10\text{ V}$, G-E short-circuited	-	-	40	nF	
C_{oes}	Output capacitance		-	-	8.0		
C_{res}	Reverse transfer capacitance		-	-	0.67		
Q_G	Gate charge	$V_{CC(P-C)}=V_{CC(C-N)}=300\text{ V}$, $I_C=400\text{ A}$, $V_{GE}=15\text{ V}$	-	840	-	nC	
$t_{d(on)}$	Turn-on delay time	$V_{CC(P-C)}=V_{CC(C-N)}=300\text{ V}$, $I_C=400\text{ A}$, $V_{GE}=\pm 15\text{ V}$, $R_G=1.6\text{ }\Omega$, Inductive load	-	-	700	ns	
t_r	Rise time		-	-	200		
$t_{d(off)}$	Turn-off delay time		-	-	600		
t_f	Fall time		-	-	150		
V_{EC} (Note1) (Terminal)	Emitter-collector voltage	$I_E=400\text{ A}$, G-E short-circuited, Auxiliary Terminal (Note5)	$T_{vj}=25\text{ }^{\circ}\text{C}$	-	2.60	3.40	V
			$T_{vj}=125\text{ }^{\circ}\text{C}$	-	2.16	-	
			$T_{vj}=150\text{ }^{\circ}\text{C}$	-	2.10	-	
V_{EC} (Note1) (Chip)	Chip (Note5)	$I_E=400\text{ A}$, G-E short-circuited, Chip (Note5)	$T_{vj}=25\text{ }^{\circ}\text{C}$	-	2.50	3.30	V
			$T_{vj}=125\text{ }^{\circ}\text{C}$	-	2.06	-	
			$T_{vj}=150\text{ }^{\circ}\text{C}$	-	2.00	-	

CM400ST-24S1

HIGH POWER SWITCHING USE
INSULATED TYPE

ELECTRICAL CHARACTERISTICS (Cont; $T_{vj}=25\text{ }^{\circ}\text{C}$, unless otherwise specified)
BRIDGE PART IGBT/DIODE (Tr1, Tr4, Di1, Di4)

Symbol	Item	Conditions	Limits			Unit
			Min.	Typ.	Max.	
t_{rr} (Note1)	Reverse recovery time	$V_{CC(P-C)}=V_{CC(C-N)}=300\text{ V}$, $I_E=400\text{ A}$, $V_{GE}=\pm 15\text{ V}$,	-	-	250	ns
Q_{rr} (Note1)	Reverse recovery charge	$R_G=0\text{ }\Omega$ (Tr2/Tr3), Inductive load	-	16	-	μC
E_{on}	Turn-on switching energy per pulse	$V_{CC(P-C)}=V_{CC(C-N)}=300\text{ V}$, $I_C=I_E=400\text{ A}$,	-	17.0	-	mJ
E_{off}	Turn-off switching energy per pulse	$V_{GE}=\pm 15\text{ V}$, $T_{vj}=150\text{ }^{\circ}\text{C}$,		23.5	-	
E_{rr} (Note1)	Reverse recovery energy per pulse	Inductive load	-	7.0	-	mJ
$R_{CC'+EE'}$	Internal lead resistance	Main terminals-chip, per switch, $T_C=25\text{ }^{\circ}\text{C}$ (Note4)	-	-	0.25	m Ω
r_g	Internal gate resistance	Per switch	-	4.9	-	Ω

RECOMMENDED OPERATING CONDITIONS

Symbol	Item	Conditions	Limits			Unit
			Min.	Typ.	Max.	
$V_{CC(P-C)}$ $V_{CC(C-N)}$	(DC) Supply voltage	Applied across each of P to C and C to N	-	300	425	V
V_{GEon}	Gate (-emitter drive) voltage	Applied across emitter to gate of each IGBT	13.5	15.0	16.5	V
R_G	External gate resistance	Per switch	1.6	-	16	Ω

AC SWITCH PART IGBT/DIODE (Tr2, Tr3, Di2, Di3)

Symbol	Item	Conditions	Limits			Unit	
			Min.	Typ.	Max.		
I_{CES}	Collector-emitter cut-off current	$V_{CE}=V_{CES}$, G-E short-circuited	-	-	1.0	mA	
I_{GES}	Gate-emitter leakage current	$V_{GE}=V_{GES}$, C-E short-circuited	-	-	0.5	μA	
$V_{GE(th)}$	Gate-emitter threshold voltage	$I_C=40\text{ mA}$, $V_{CE}=10\text{ V}$	5.4	6.0	6.6	V	
V_{CESat} (Terminal)	Collector-emitter saturation voltage	$I_C=400\text{ A}$, $V_{GE}=15\text{ V}$, Auxiliary Terminal (Notes)	$T_{vj}=25\text{ }^{\circ}\text{C}$	-	1.35	1.75	V
			$T_{vj}=125\text{ }^{\circ}\text{C}$	-	1.43	-	
			$T_{vj}=150\text{ }^{\circ}\text{C}$	-	1.45	-	
V_{CESat} (Chip)	Chip (Notes)	$I_C=400\text{ A}$, $V_{GE}=15\text{ V}$,	$T_{vj}=25\text{ }^{\circ}\text{C}$	-	1.25	1.65	V
			$T_{vj}=125\text{ }^{\circ}\text{C}$	-	1.33	-	
			$T_{vj}=150\text{ }^{\circ}\text{C}$	-	1.35	-	
C_{ies}	Input capacitance	$V_{CE}=10\text{ V}$, G-E short-circuited	-	-	48	nF	
C_{oes}	Output capacitance		-	-	3.1		
C_{res}	Reverse transfer capacitance		-	-	0.9		
Q_G	Gate charge	$V_{CC(P-C)}=V_{CC(C-N)}=300\text{ V}$, $I_C=400\text{ A}$, $V_{GE}=15\text{ V}$	-	1450	-	nC	
$t_{d(on)}$	Turn-on delay time	$V_{CC(P-C)}=V_{CC(C-N)}=300\text{ V}$, $I_C=400\text{ A}$, $V_{GE}=\pm 15\text{ V}$, $R_G=0\text{ }\Omega$, Inductive load	-	-	350	ns	
t_r	Rise time		-	-	150		
$t_{d(off)}$	Turn-off delay time		-	-	500		
t_f	Fall time		-	-	300		
V_{EC} (Note1) (Terminal)	Emitter-collector voltage	$I_E=400\text{ A}$, G-E short-circuited, Auxiliary Terminal (Notes)	$T_{vj}=25\text{ }^{\circ}\text{C}$	-	2.00	2.80	V
			$T_{vj}=125\text{ }^{\circ}\text{C}$	-	1.95	-	
			$T_{vj}=150\text{ }^{\circ}\text{C}$	-	1.90	-	
V_{EC} (Note1) (Chip)	Chip (Notes)	$I_E=400\text{ A}$, G-E short-circuited,	$T_{vj}=25\text{ }^{\circ}\text{C}$	-	1.90	2.70	V
			$T_{vj}=125\text{ }^{\circ}\text{C}$	-	1.85	-	
			$T_{vj}=150\text{ }^{\circ}\text{C}$	-	1.80	-	
t_{rr} (Note1)	Reverse recovery time	$V_{CC(P-C)}=V_{CC(C-N)}=300\text{ V}$, $I_E=400\text{ A}$, $V_{GE}=\pm 15\text{ V}$,	-	-	200	ns	
Q_{rr} (Note1)	Reverse recovery charge	$R_G=1.6\text{ }\Omega$ (Tr1/Tr4), Inductive load	-	16	-	μC	
E_{on}	Turn-on switching energy per pulse	$V_{CC(P-C)}=V_{CC(C-N)}=300\text{ V}$, $I_C=I_E=400\text{ A}$,	-	0.2	-	mJ	
E_{off}	Turn-off switching energy per pulse	$V_{GE}=\pm 15\text{ V}$, $T_{vj}=150\text{ }^{\circ}\text{C}$,		$R_G(\text{Tr}2,3)=0\text{ }\Omega$	21.2		-
E_{rr} (Note1)	Reverse recovery energy per pulse	Inductive load	-	15.3	-	mJ	
$R_{CC'+EE'}$	Internal lead resistance	Main terminals-chip, per switch, $T_C=25\text{ }^{\circ}\text{C}$ (Note4)	-	-	0.25	m Ω	
r_g	Internal gate resistance	Per switch	-	1.5	-	Ω	

CM400ST-24S1

HIGH POWER SWITCHING USE
INSULATED TYPE

ELECTRICAL CHARACTERISTICS (Cont; T_{vj}=25 °C, unless otherwise specified)
RECOMMENDED OPERATING CONDITIONS

Symbol	Item	Conditions	Limits			Unit
			Min.	Typ.	Max.	
V _{CC(P-C)}	(DC) Supply voltage	Applied across each of P to C and C to N	-	300	360	V
V _{CC(C-N)}						
V _{GEon}	Gate (-emitter drive) voltage	Applied across emitter to gate of each IGBT	13.5	15.0	16.5	V
R _G	External gate resistance	Per switch Tr2, Tr3	0	-	16	Ω

NTC THERMISTOR PART

Symbol	Item	Conditions	Limits			Unit
			Min.	Typ.	Max.	
R ₂₅	Zero-power resistance	T _C =25 °C (Note4)	4.85	5.00	5.15	kΩ
ΔR/R	Deviation of resistance	R ₁₀₀ =493 Ω, T _C =100 °C (Note4)	-7.3	-	+7.8	%
B _(25/50)	B-constant	Approximate by equation (Note6)	-	3375	-	K
P ₂₅	Power dissipation	T _C =25 °C (Note4)	-	-	10	mW

THERMAL RESISTANCE CHARACTERISTICS

Symbol	Item	Conditions	Limits			Unit
			Min.	Typ.	Max.	
R _{th(j-c)Q}	Thermal resistance	Junction to case, per BRIDGE PART IGBT (Note4)	-	-	0.064	K/W
R _{th(j-c)D}		Junction to case, per BRIDGE PART FWD (Note4)	-	-	0.105	
R _{th(j-c)Q}		Junction to case, per AC SWITCH PART IGBT (Note4)	-	-	0.106	
R _{th(j-c)D}		Junction to case, per AC SWITCH PART FWD (Note4)	-	-	0.165	
R _{th(c-s)}	Contact thermal resistance	Case to heat sink, per 1 module, Thermal grease applied (Note4, 7)	-	0.011	-	K/W

MECHANICAL CHARACTERISTICS

Symbol	Item	Conditions	Limits			Unit
			Min.	Typ.	Max.	
M _t	Mounting torque	Main terminals M 6 screw	3.5	4.0	4.5	N·m
M _s	Mounting torque	Mounting to heat sink M 5 screw	2.5	3.0	3.5	N·m
m	mass	-	-	560	-	g
d _s	Creepage distance	Terminal to terminal	14.4	-	-	mm
		Terminal to base plate	16.7	-	-	
d _a	Clearance	Terminal to terminal	8.0	-	-	mm
		Terminal to base plate	16.7	-	-	
e _c	Flatness of base plate	On the centerline X, Y (Note8)	-50	-	+100	μm

*: This product is This product is compliant with the Restriction of the Use of Certain Hazardous Substances in Electrical and Electronic Equipment (RoHS) directive 2011/65/EU.

Note1. Represent ratings and characteristics of the anti-parallel, emitter-collector free wheeling diode (FWD).

- Junction temperature (T_{vj}) should not increase beyond T_{vjmax} rating.
- Pulse width and repetition rate should be such that the device junction temperature (T_{vj}) does not exceed T_{vjmax} rating.
- Case temperature (T_C) and heat sink temperature (T_s) are defined on the each surface (mounting side) of base plate and heat sink just under the chips. Refer to the figure of chip location.
- Pulse width and repetition rate should be such as to cause negligible temperature rise.

$$6. B_{(25/50)} = \ln\left(\frac{R_{25}}{R_{50}}\right) \left(\frac{1}{T_{25}} - \frac{1}{T_{50}}\right)$$

R₂₅: resistance at absolute temperature T₂₅ [K]; T₂₅=25 [°C]+273.15=298.15 [K]

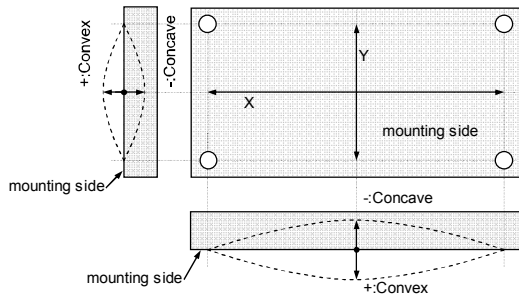
R₅₀: resistance at absolute temperature T₅₀ [K]; T₅₀=50 [°C]+273.15=323.15 [K]

- Typical value is measured by using thermally conductive grease of λ=0.9 W/(m·K).

CM400ST-24S1

HIGH POWER SWITCHING USE
INSULATED TYPE

Note8. The base plate (mounting side) flatness measurement points (X, Y) are as follows of the next figure.

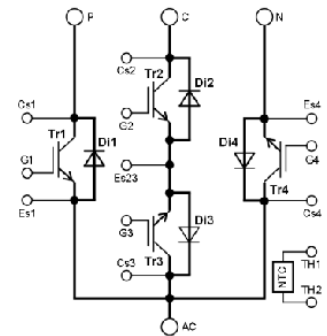
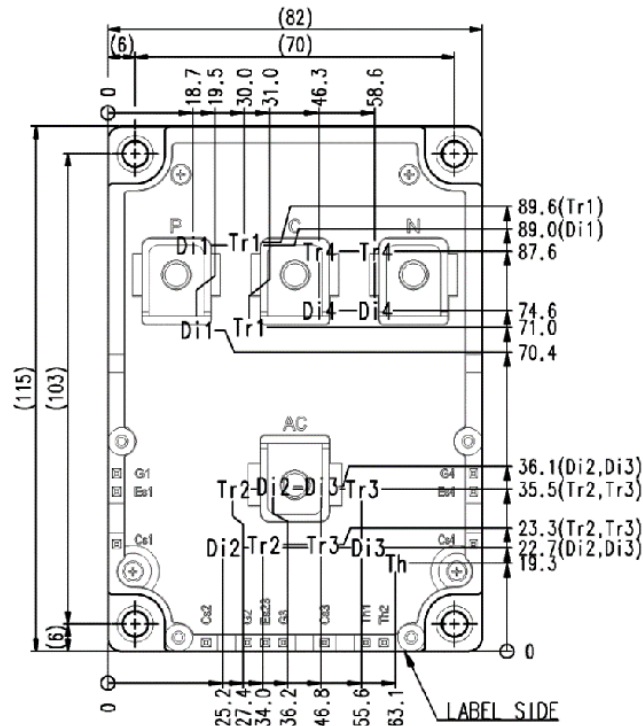


9. Use the following screws when mounting the printed circuit board (PCB) on the standoffs.
The length of the screw depends on thickness (t1.0~t1.6) of the PCB.

Type	Size	Tightening torque	Recommended tightening method
(1) PT®	K25×8	0.55 ± 0.055 N·m	by handwork (equivalent to 30 r/min by mechanical screw driver) ~ 600 r/min (by mechanical screw driver)
(2) PT®	K25×10	0.75 ± 0.075 N·m	
(3) DELTA PT®	25×8	0.55 ± 0.055 N·m	
(4) DELTA PT®	25×10	0.75 ± 0.075 N·m	
(5) B1 tapping screw	φ2.6×10 or φ2.6×12	0.75 ± 0.075 N·m	

CHIP LOCATION (Top view)

Dimension in mm, tolerance: ±1 mm

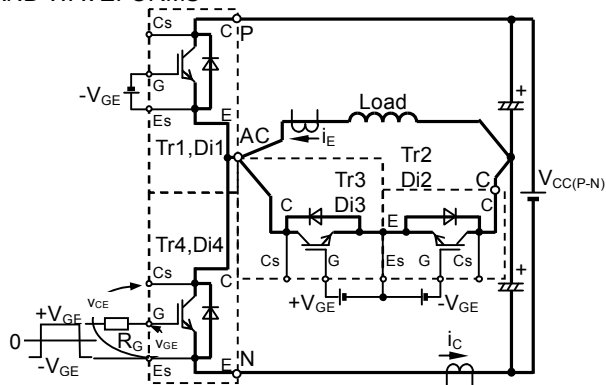


Tr1/Tr4: BRIDGE IGBT, Tr2/Tr3: AC SWITCH IGBT,
Di1/Di4: BRIDGE FWD, Di2/Di3: AC SWITCH FWD,
Th: NTC thermistor.

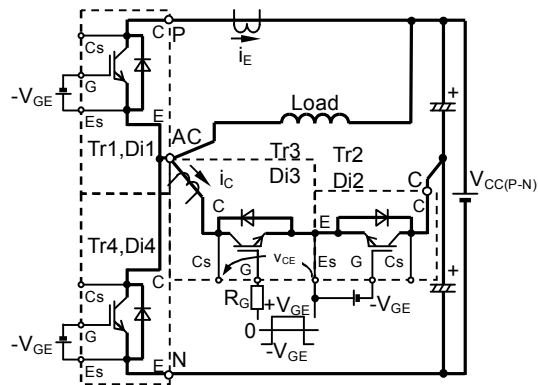
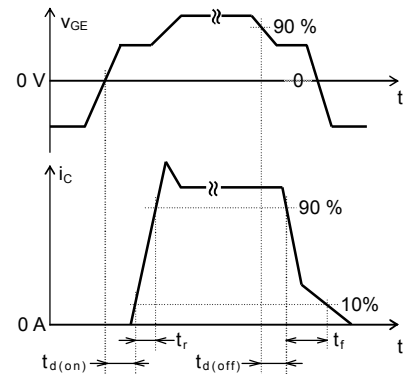
CM400ST-24S1

HIGH POWER SWITCHING USE
INSULATED TYPE

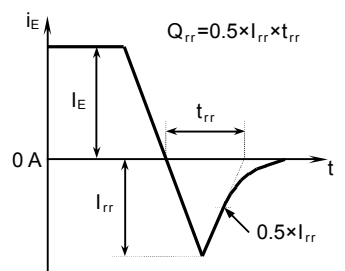
TEST CIRCUIT AND WAVEFORMS



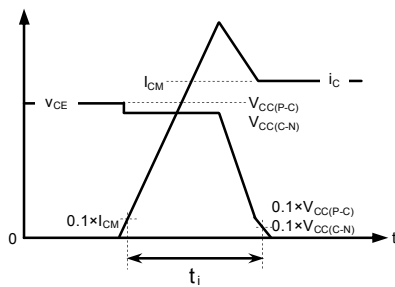
Switching test circuit and waveforms (BRIDGE PART switching)



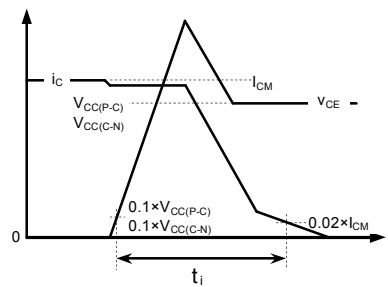
Switching test circuit and waveforms (AC SWITCH PART switching)



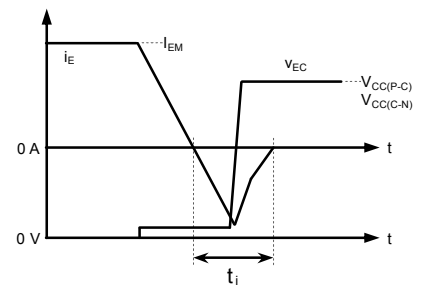
t_{rr}, Q_{rr} test waveform



IGBT Turn-on switching energy



IGBT Turn-off switching energy



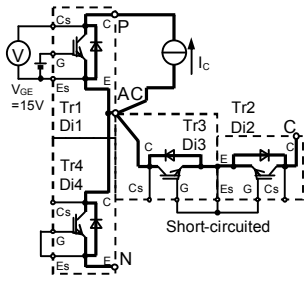
FWD Reverse recovery energy

Turn-on / Turn-off switching energy and Reverse recovery energy test waveforms (Integral time instruction drawing)

CM400ST-24S1

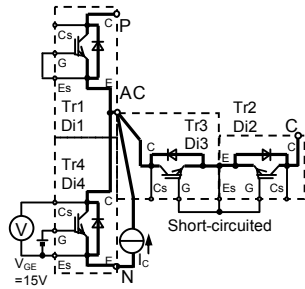
HIGH POWER SWITCHING USE
INSULATED TYPE

TEST CIRCUIT

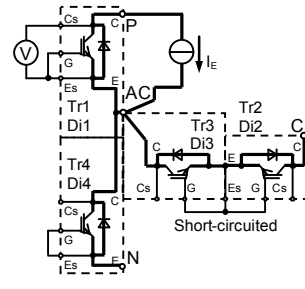


Tr1

V_{CEsat} characteristics test circuit (BRIDGE PART)

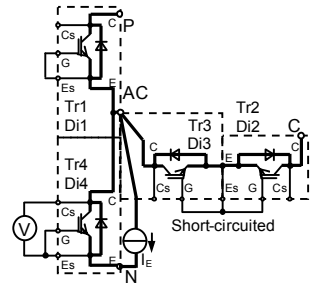


Tr4

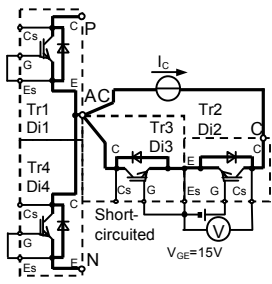


Di1

V_{EC} characteristics test circuit (BRIDGE PART)

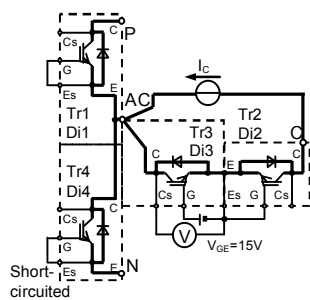


Di4

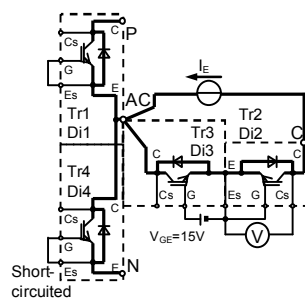


Tr2

V_{CEsat} characteristics test circuit (AC SWITCH PART)

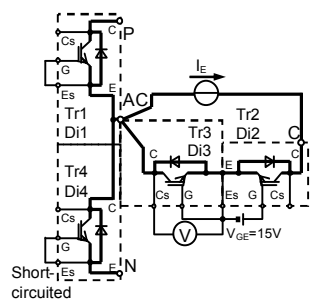


Tr3



Di2

V_{EC} characteristics test circuit (AC SWITCH PART)



Di3

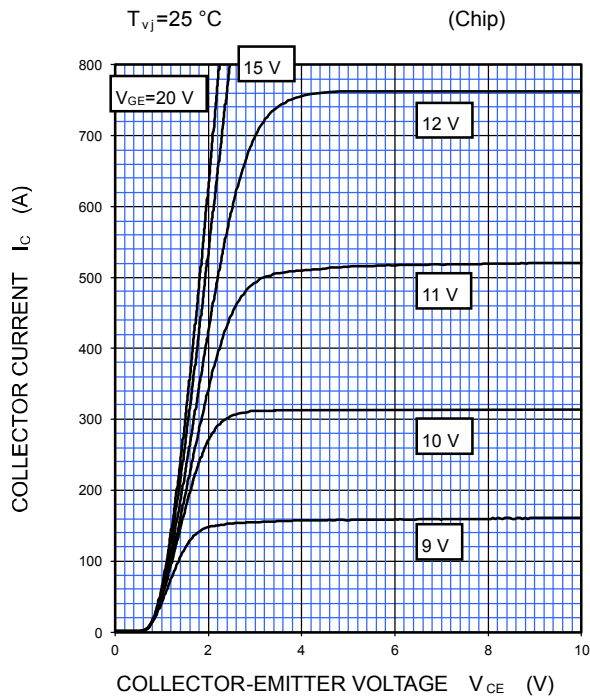
CM400ST-24S1

HIGH POWER SWITCHING USE
INSULATED TYPE

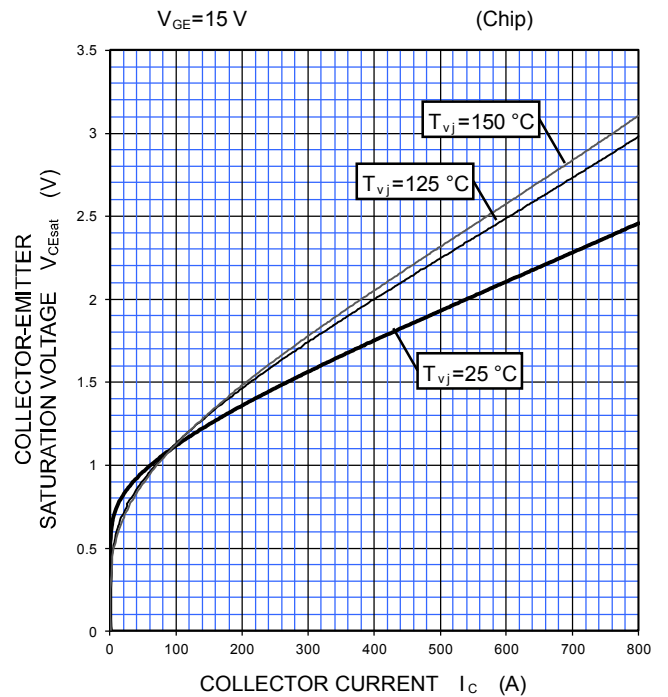
PERFORMANCE CURVES

BRIDGE PART

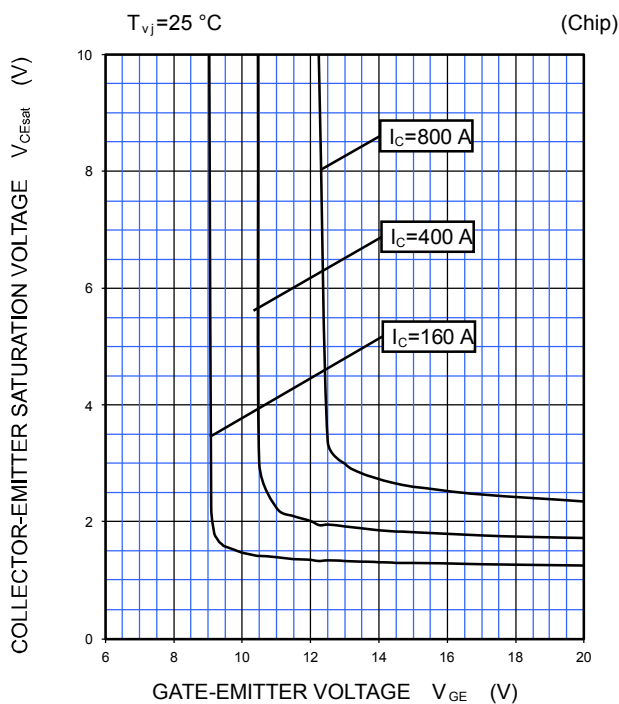
OUTPUT CHARACTERISTICS (TYPICAL)



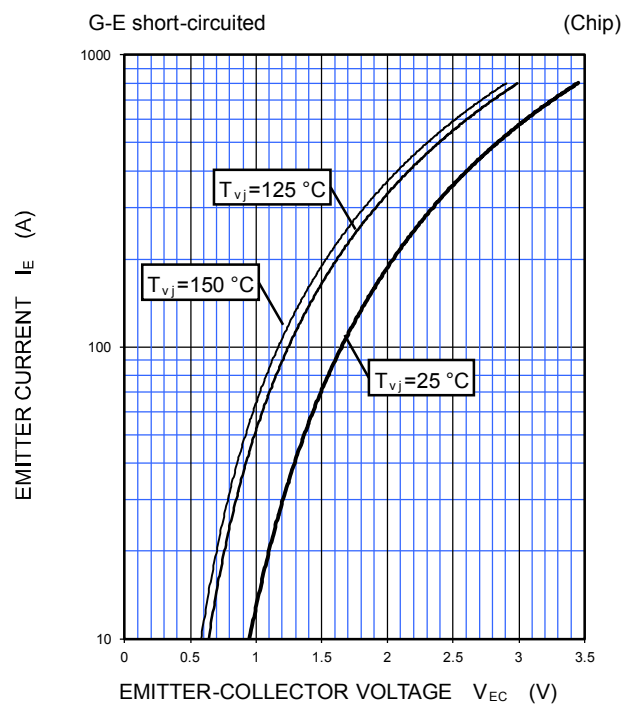
COLLECTOR-EMITTER SATURATION VOLTAGE CHARACTERISTICS (TYPICAL)



COLLECTOR-EMITTER SATURATION VOLTAGE CHARACTERISTICS (TYPICAL)



FREE WHEELING DIODE FORWARD CHARACTERISTICS (TYPICAL)



CM400ST-24S1

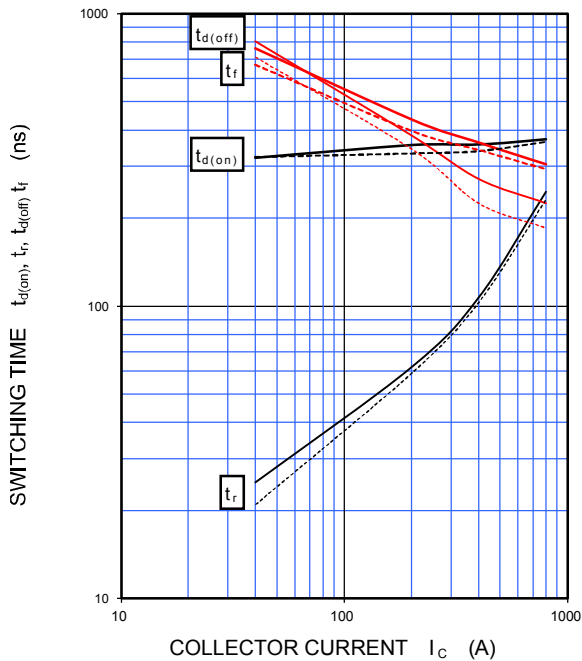
HIGH POWER SWITCHING USE
INSULATED TYPE

PERFORMANCE CURVES

BRIDGE PART

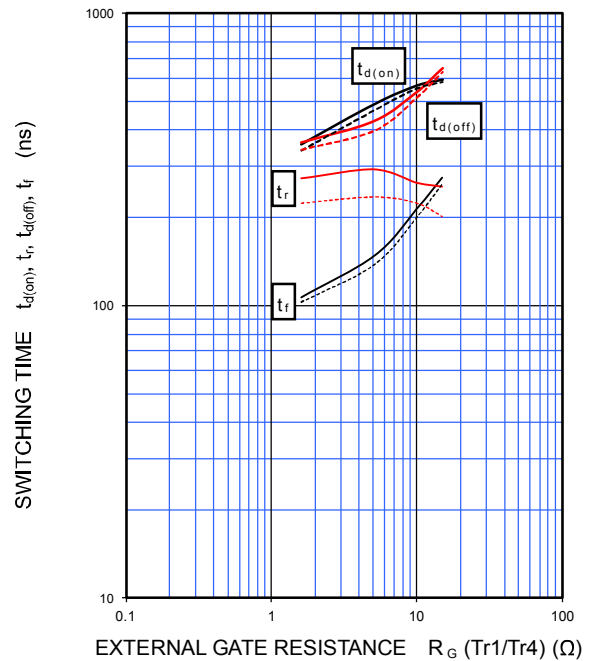
HALF-BRIDGE
SWITCHING CHARACTERISTICS
(TYPICAL)

$V_{CE}=300\text{ V}$, $V_{GE}=\pm 15\text{ V}$, $R_G=1.6\ \Omega$ (Tr1/Tr4), INDUCTIVE LOAD
 —: $T_{vj}=150\text{ }^\circ\text{C}$, - - - -: $T_{vj}=125\text{ }^\circ\text{C}$



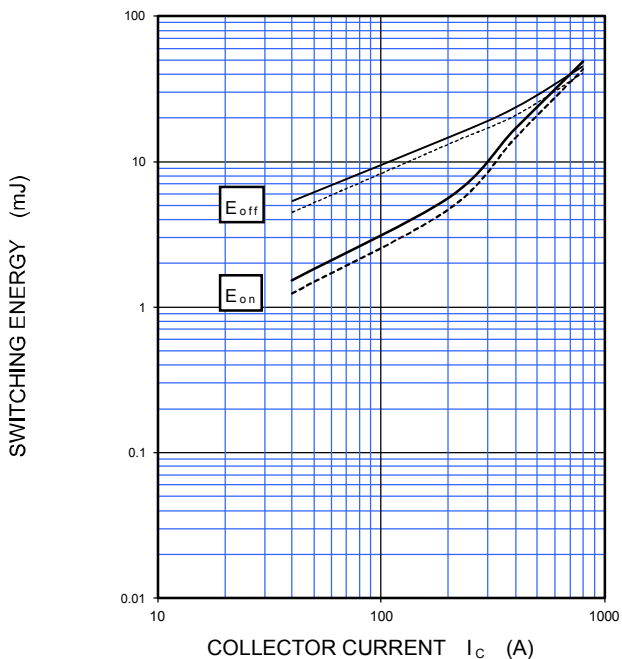
HALF-BRIDGE
SWITCHING CHARACTERISTICS
(TYPICAL)

$V_{CE}=300\text{ V}$, $V_{GE}=\pm 15\text{ V}$, $I_C=400\text{ A}$, INDUCTIVE LOAD
 —: $T_{vj}=150\text{ }^\circ\text{C}$, - - - -: $T_{vj}=125\text{ }^\circ\text{C}$



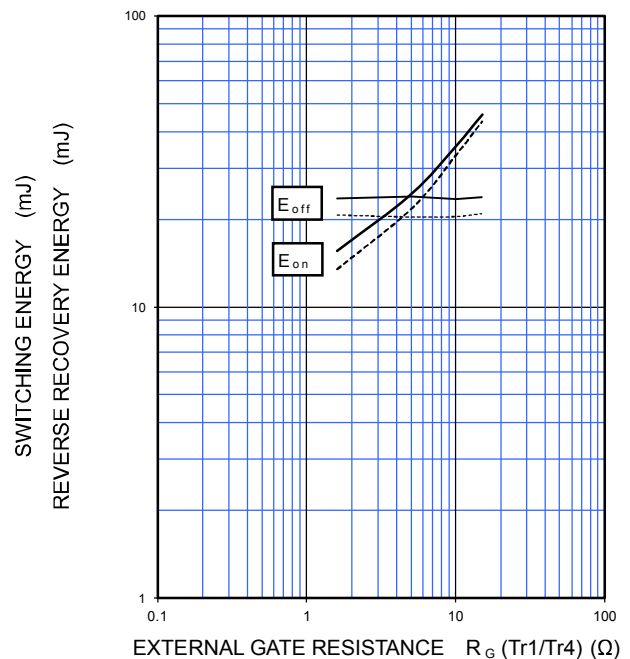
HALF-BRIDGE
SWITCHING CHARACTERISTICS
(TYPICAL)

$V_{CE}=300\text{ V}$, $V_{GE}=\pm 15\text{ V}$, $R_G=1.6\ \Omega$ (Tr1/Tr4),
INDUCTIVE LOAD, PER PULSE
 —: $T_{vj}=150\text{ }^\circ\text{C}$, - - - -: $T_{vj}=125\text{ }^\circ\text{C}$



HALF-BRIDGE
SWITCHING CHARACTERISTICS
(TYPICAL)

$V_{CE}=300\text{ V}$, $V_{GE}=\pm 15\text{ V}$, $I_C=400\text{ A}$,
INDUCTIVE LOAD, PER PULSE
 —: $T_{vj}=150\text{ }^\circ\text{C}$, - - - -: $T_{vj}=125\text{ }^\circ\text{C}$



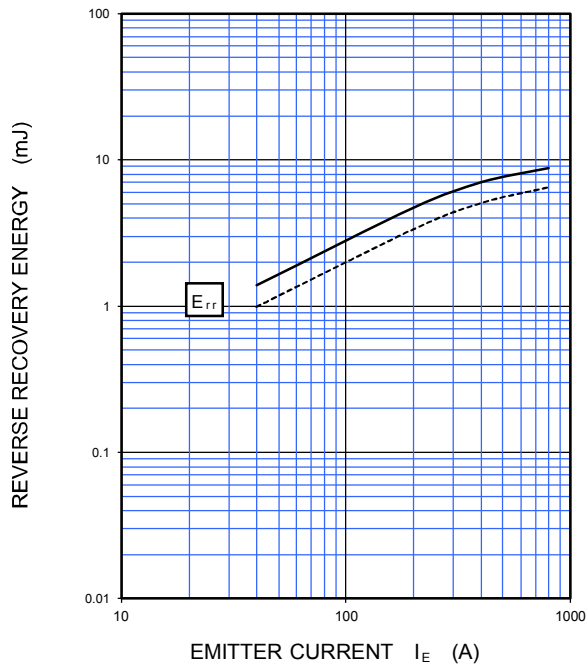
CM400ST-24S1

HIGH POWER SWITCHING USE
INSULATED TYPE

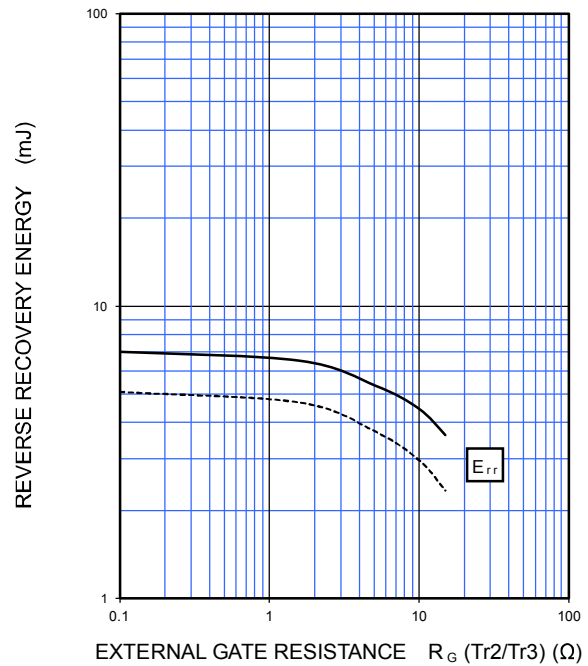
PERFORMANCE CURVES

BRIDGE PART

HALF-BRIDGE
SWITCHING CHARACTERISTICS
(TYPICAL)
 $V_{CE}=300\text{ V}$, $V_{GE}=\pm 15\text{ V}$, $R_G=0\ \Omega$ ($Tr2/Tr3$),
INDUCTIVE LOAD, PER PULSE
——: $T_{vj}=150\text{ }^\circ\text{C}$, - - - -: $T_{vj}=125\text{ }^\circ\text{C}$

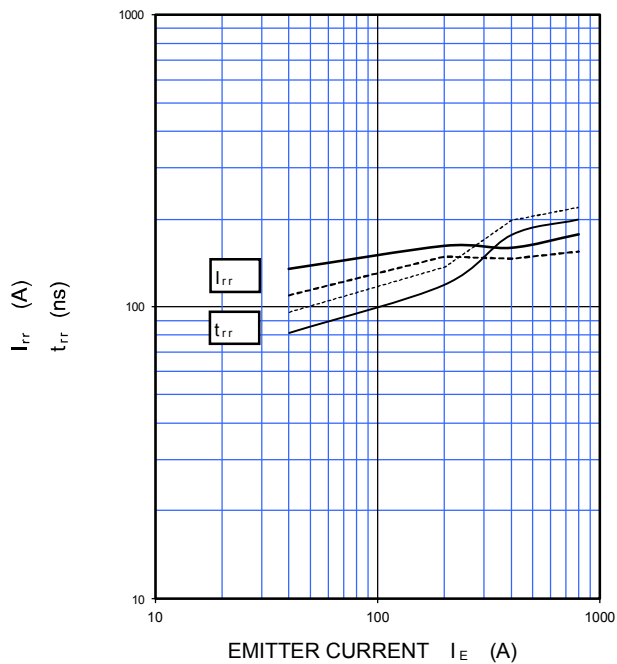


HALF-BRIDGE
SWITCHING CHARACTERISTICS
(TYPICAL)
 $V_{CE}=300\text{ V}$, $V_{GE}=\pm 15\text{ V}$, $I_E=400\text{ A}$,
INDUCTIVE LOAD, PER PULSE
——: $T_{vj}=150\text{ }^\circ\text{C}$, - - - -: $T_{vj}=125\text{ }^\circ\text{C}$



FREE WHEELING DIODE
REVERSE RECOVERY CHARACTERISTICS
(TYPICAL)

$V_{CE}=300\text{ V}$, $V_{GE}=\pm 15\text{ V}$, $R_G=0\ \Omega$ ($Tr2/Tr3$), INDUCTIVE LOAD
——: $T_{vj}=150\text{ }^\circ\text{C}$, - - - -: $T_{vj}=125\text{ }^\circ\text{C}$



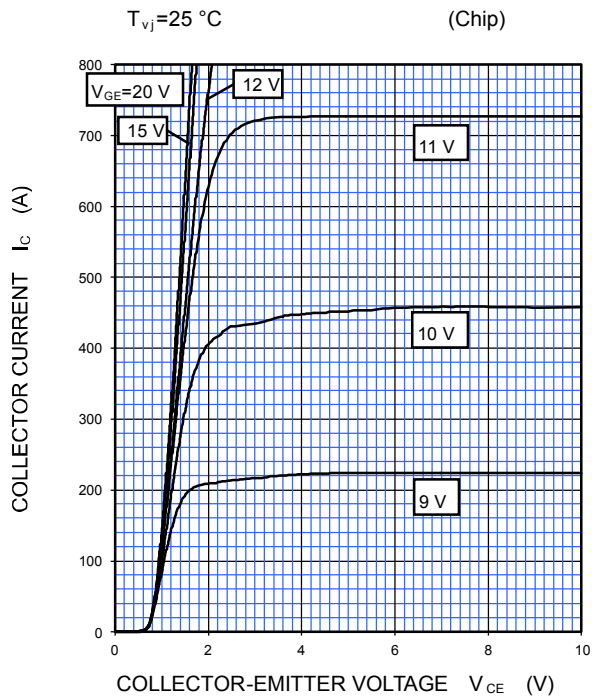
CM400ST-24S1

HIGH POWER SWITCHING USE
INSULATED TYPE

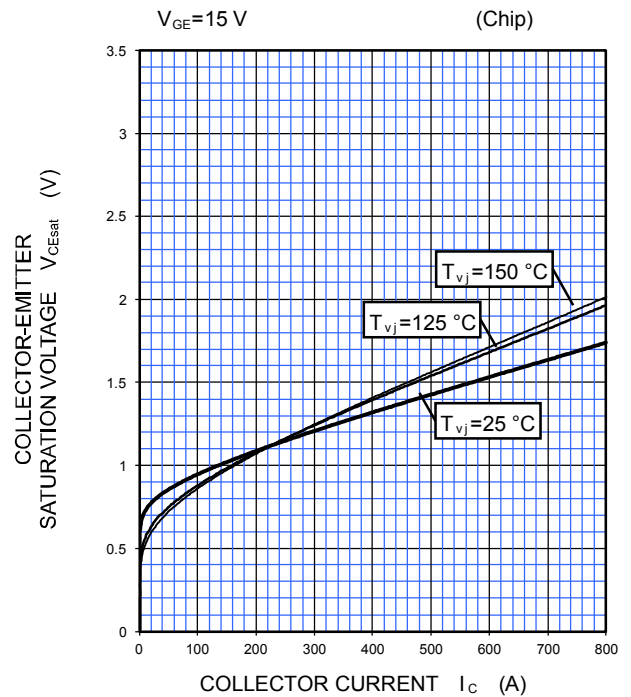
PERFORMANCE CURVES

AC SWITCH PART

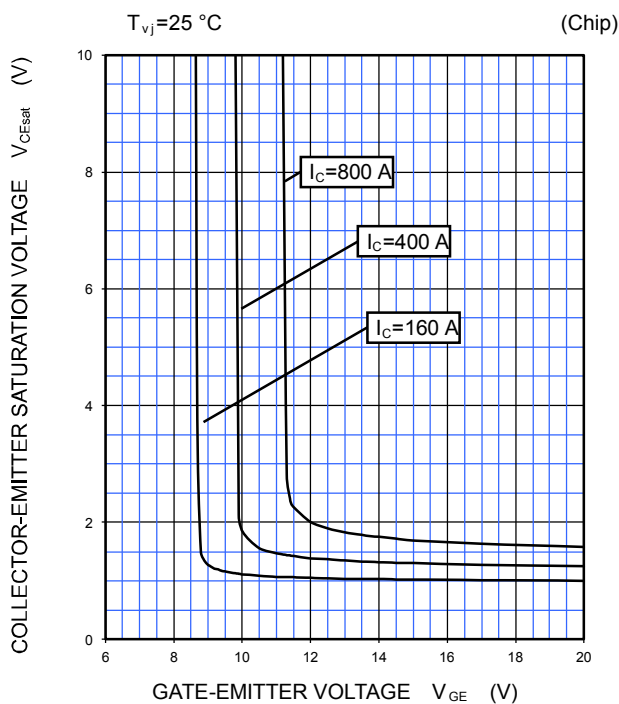
OUTPUT CHARACTERISTICS (TYPICAL)



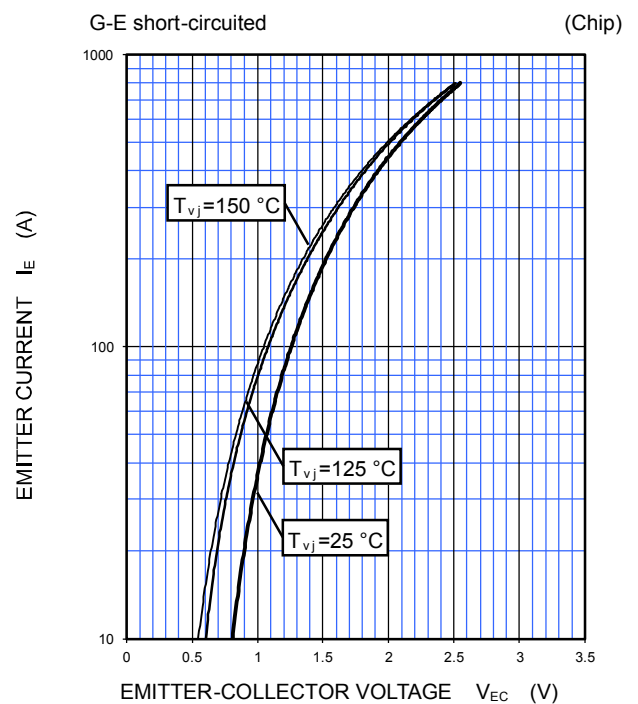
COLLECTOR-EMITTER SATURATION VOLTAGE CHARACTERISTICS (TYPICAL)



COLLECTOR-EMITTER SATURATION VOLTAGE CHARACTERISTICS (TYPICAL)



FREE WHEELING DIODE FORWARD CHARACTERISTICS (TYPICAL)



CM400ST-24S1

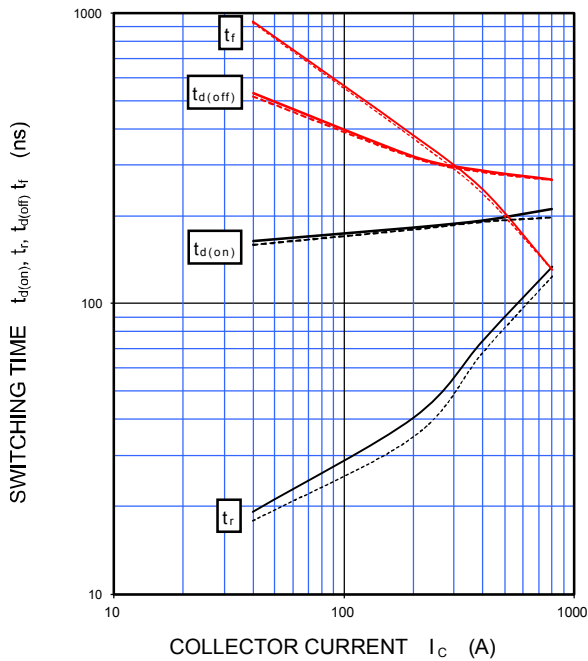
HIGH POWER SWITCHING USE
INSULATED TYPE

PERFORMANCE CURVES

AC SWITCH PART

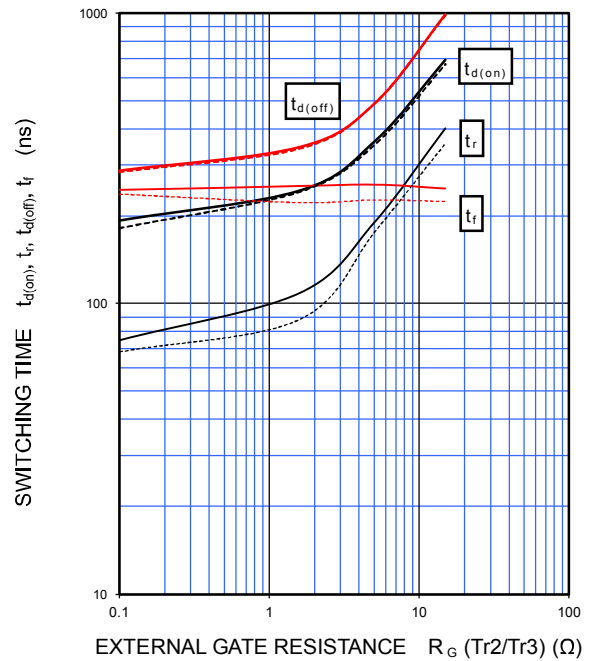
HALF-BRIDGE
SWITCHING CHARACTERISTICS
(TYPICAL)

$V_{CE}=300\text{ V}$, $V_{GE}=\pm 15\text{ V}$, $R_G=0\ \Omega$ (Tr2/Tr3), INDUCTIVE LOAD
——: $T_{vj}=150\text{ }^\circ\text{C}$, - - - -: $T_{vj}=125\text{ }^\circ\text{C}$



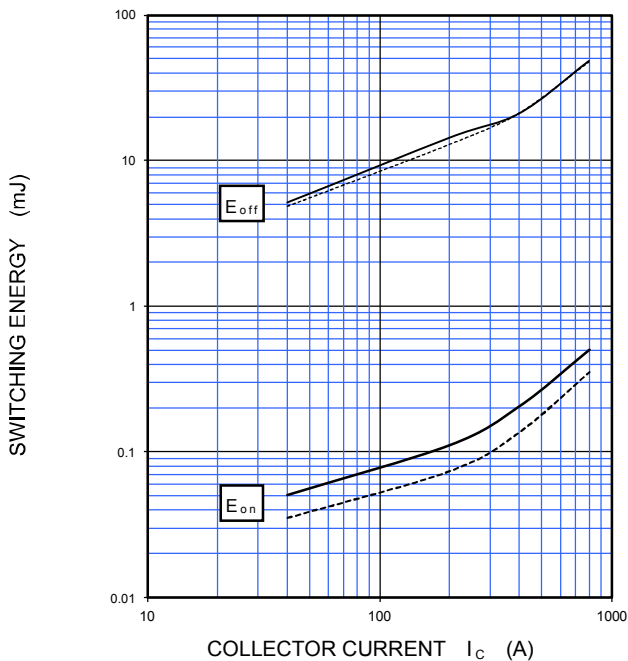
HALF-BRIDGE
SWITCHING CHARACTERISTICS
(TYPICAL)

$V_{CE}=300\text{ V}$, $V_{GE}=\pm 15\text{ V}$, $I_C=400\text{ A}$, INDUCTIVE LOAD
——: $T_{vj}=150\text{ }^\circ\text{C}$, - - - -: $T_{vj}=125\text{ }^\circ\text{C}$



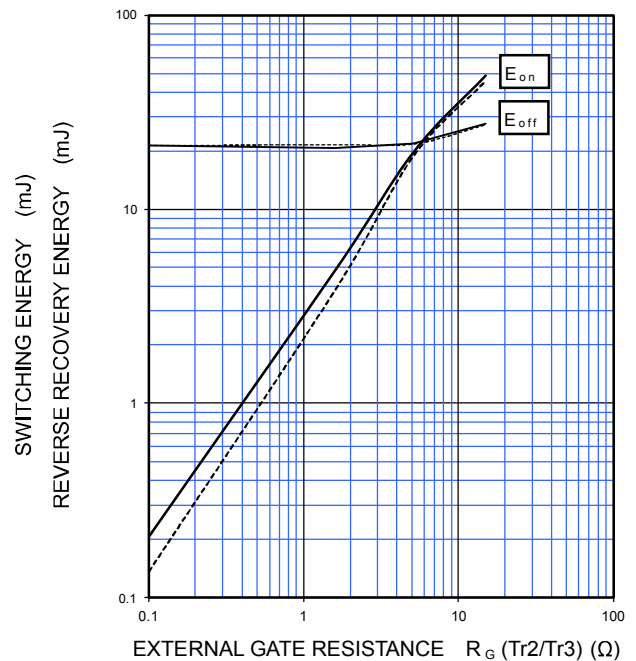
HALF-BRIDGE
SWITCHING CHARACTERISTICS
(TYPICAL)

$V_{CE}=300\text{ V}$, $V_{GE}=\pm 15\text{ V}$, $R_G=0\ \Omega$ (Tr2/Tr3),
INDUCTIVE LOAD, PER PULSE
——: $T_{vj}=150\text{ }^\circ\text{C}$, - - - -: $T_{vj}=125\text{ }^\circ\text{C}$



HALF-BRIDGE
SWITCHING CHARACTERISTICS
(TYPICAL)

$V_{CE}=300\text{ V}$, $V_{GE}=\pm 15\text{ V}$, $I_C=400\text{ A}$,
INDUCTIVE LOAD, PER PULSE
——: $T_{vj}=150\text{ }^\circ\text{C}$, - - - -: $T_{vj}=125\text{ }^\circ\text{C}$



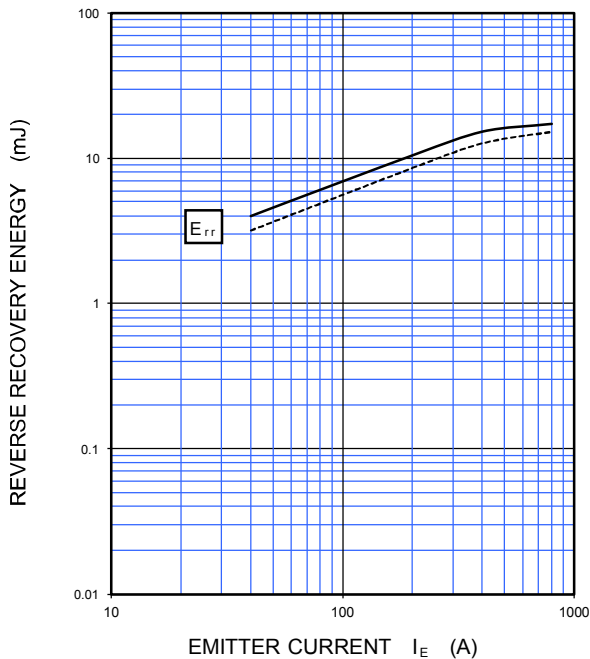
CM400ST-24S1

HIGH POWER SWITCHING USE
INSULATED TYPE

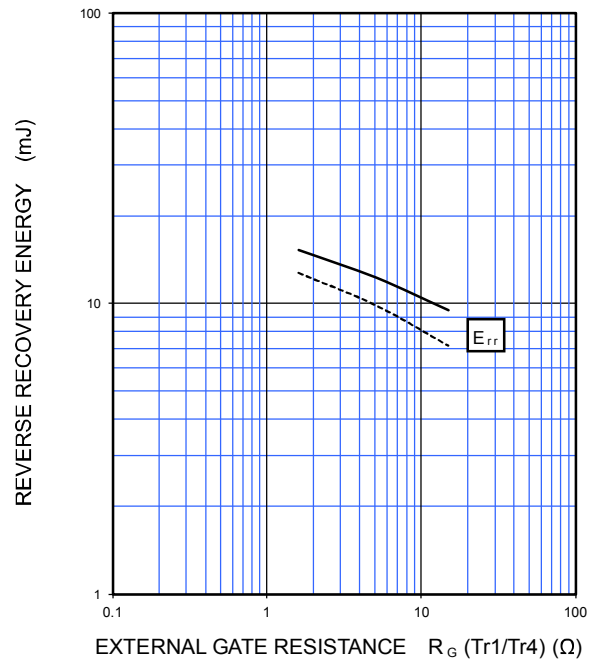
PERFORMANCE CURVES

AC SWITCH PART

HALF-BRIDGE
SWITCHING CHARACTERISTICS
(TYPICAL)
 $V_{CE}=300\text{ V}$, $V_{GE}=\pm 15\text{ V}$, $R_G=1.6\ \Omega$ ($Tr1/Tr4$),
INDUCTIVE LOAD, PER PULSE
——: $T_{vj}=150\text{ }^\circ\text{C}$, - - - -: $T_{vj}=125\text{ }^\circ\text{C}$

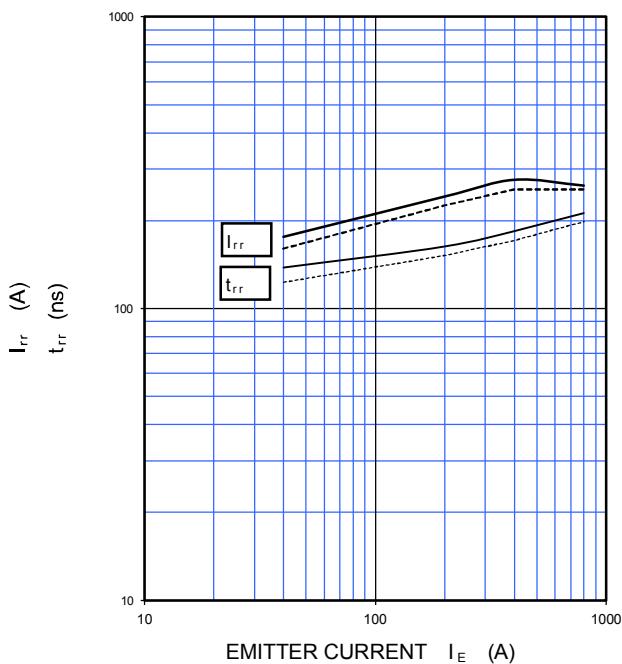


HALF-BRIDGE
SWITCHING CHARACTERISTICS
(TYPICAL)
 $V_{CE}=300\text{ V}$, $V_{GE}=\pm 15\text{ V}$, $I_E=400\text{ A}$,
INDUCTIVE LOAD, PER PULSE
——: $T_{vj}=150\text{ }^\circ\text{C}$, - - - -: $T_{vj}=125\text{ }^\circ\text{C}$



FREE WHEELING DIODE
REVERSE RECOVERY CHARACTERISTICS
(TYPICAL)

$V_{CE}=300\text{ V}$, $V_{GE}=\pm 15\text{ V}$, $R_G=1.6\ \Omega$ ($Tr1/Tr4$), INDUCTIVE LOAD
——: $T_{vj}=150\text{ }^\circ\text{C}$, - - - -: $T_{vj}=125\text{ }^\circ\text{C}$



CM400ST-24S1

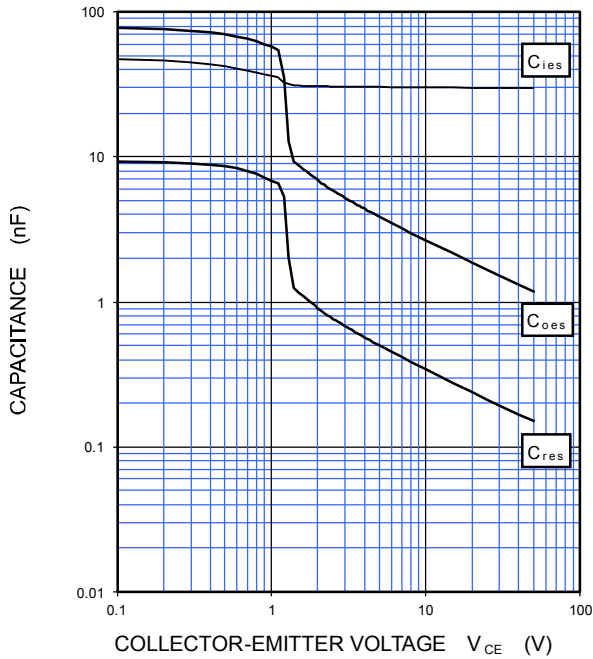
HIGH POWER SWITCHING USE
INSULATED TYPE

PERFORMANCE CURVES

BRIDGE PART

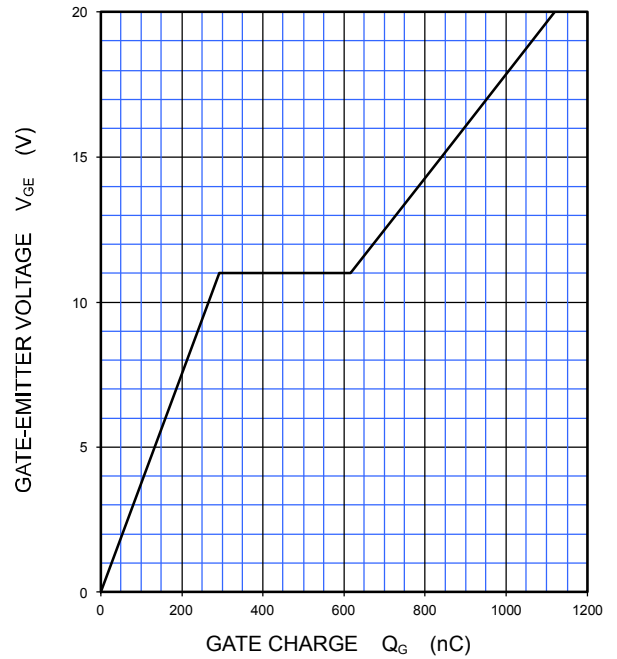
CAPACITANCE CHARACTERISTICS (TYPICAL)

G-E short-circuited, $T_{vj}=25\text{ }^{\circ}\text{C}$



GATE CHARGE CHARACTERISTICS (TYPICAL)

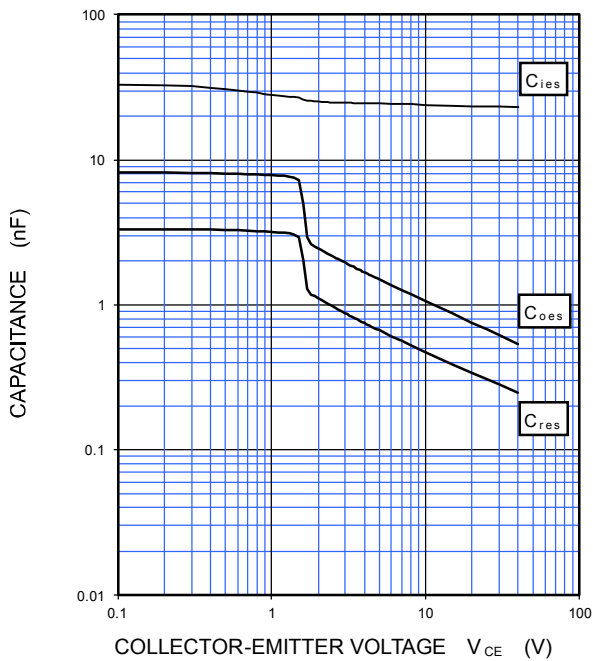
$V_{CC(P-N)}=600\text{ V}$, $I_C=400\text{ A}$, $T_{vj}=25\text{ }^{\circ}\text{C}$



AC SWITCH PART

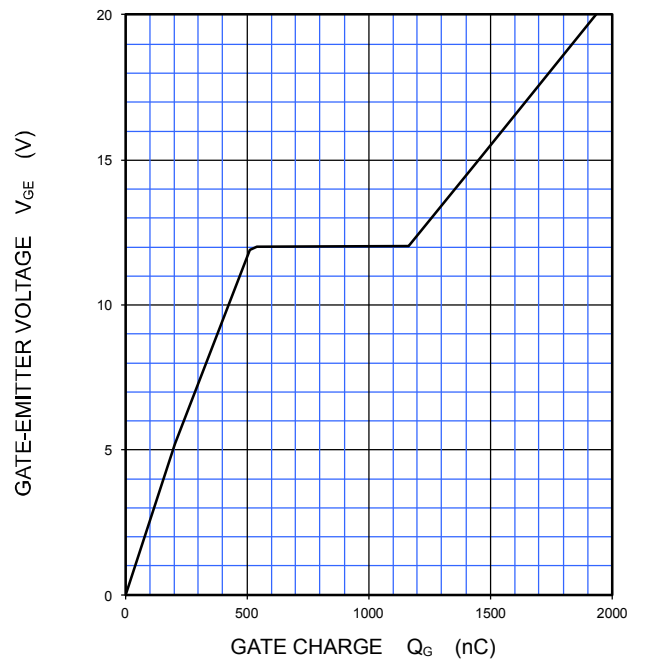
CAPACITANCE CHARACTERISTICS (TYPICAL)

G-E short-circuited, $T_{vj}=25\text{ }^{\circ}\text{C}$



GATE CHARGE CHARACTERISTICS (TYPICAL)

$V_{CC(P-C)}=V_{CC(C-N)}=300\text{ V}$, $I_C=400\text{ A}$, $T_{vj}=25\text{ }^{\circ}\text{C}$



CM400ST-24S1

HIGH POWER SWITCHING USE
INSULATED TYPE

PERFORMANCE CURVES

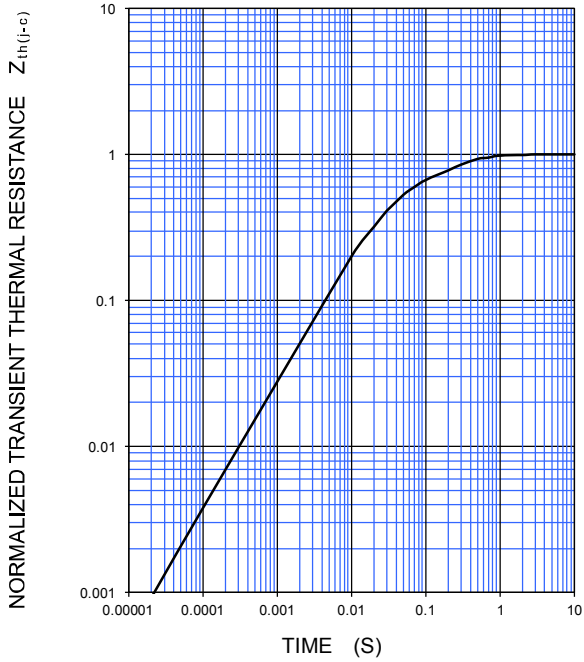
COMMON PART

TRANSIENT THERMAL IMPEDANCE CHARACTERISTICS (MAXIMUM)

Single pulse, $T_c=25\text{ }^\circ\text{C}$

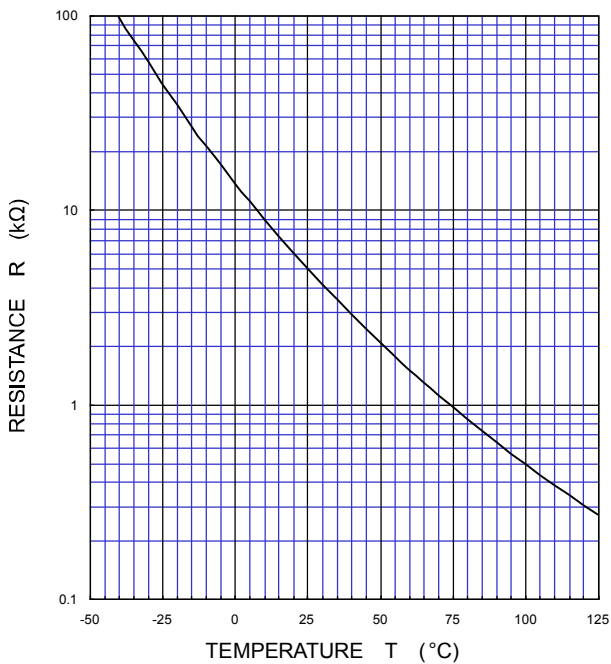
BRIDGE PART: $R_{th(j-c)Q}=0.064\text{ K/W}$, $R_{th(j-c)D}=0.105\text{ K/W}$

AC SWITCH PART: $R_{th(j-c)Q}=0.106\text{ K/W}$, $R_{th(j-c)D}=0.165\text{ K/W}$



NTC THERMISTOR PART

TEMPERATURE CHARACTERISTICS (TYPICAL)



CM400ST-24S1

HIGH POWER SWITCHING USE
INSULATED TYPE

Keep safety first in your circuit designs!

Mitsubishi Electric Corporation puts the maximum effort into making semiconductor products better and more reliable, but there is always the possibility that trouble may occur with them. Trouble with semiconductors may lead to personal injury, fire or property damage. Remember to give due consideration to safety when making your circuit designs, with appropriate measures such as (i) placement of substitutive, auxiliary circuits, (ii) use of non-flammable material or (iii) prevention against any malfunction or mishap.

Notes regarding these materials

- These materials are intended as a reference to assist our customers in the selection of the Mitsubishi semiconductor product best suited to the customer's application; they do not convey any license under any intellectual property rights, or any other rights, belonging to Mitsubishi Electric Corporation or a third party.
- Mitsubishi Electric Corporation assumes no responsibility for any damage, or infringement of any third-party's rights, originating in the use of any product data, diagrams, charts, programs, algorithms, or circuit application examples contained in these materials.
- All information contained in these materials, including product data, diagrams, charts, programs and algorithms represents information on products at the time of publication of these materials, and are subject to change by Mitsubishi Electric Corporation without notice due to product improvements or other reasons. It is therefore recommended that customers contact Mitsubishi Electric Corporation or an authorized Mitsubishi Semiconductor product distributor for the latest product information before purchasing a product listed herein.
The information described here may contain technical inaccuracies or typographical errors. Mitsubishi Electric Corporation assumes no responsibility for any damage, liability, or other loss rising from these inaccuracies or errors.
Please also pay attention to information published by Mitsubishi Electric Corporation by various means, including the Mitsubishi Semiconductor home page (www.MitsubishiElectric.com/semiconductors/).
- When using any or all of the information contained in these materials, including product data, diagrams, charts, programs, and algorithms, please be sure to evaluate all information as a total system before making a final decision on the applicability of the information and products. Mitsubishi Electric Corporation assumes no responsibility for any damage, liability or other loss resulting from the information contained herein.
- Mitsubishi Electric Corporation semiconductors are not designed or manufactured for use in a device or system that is used under circumstances in which human life is potentially at stake. Please contact Mitsubishi Electric Corporation or an authorized Mitsubishi Semiconductor product distributor when considering the use of a product contained herein for any specific purposes, such as apparatus or systems for transportation, vehicular, medical, aerospace, nuclear, or undersea repeater use.
- The prior written approval of Mitsubishi Electric Corporation is necessary to reprint or reproduce in whole or in part these materials.
- If these products or technologies are subject to the Japanese export control restrictions, they must be exported under a license from the Japanese government and cannot be imported into a country other than the approved destination.
Any diversion or reexport contrary to the export control laws and regulations of Japan and/or the country of destination is prohibited.
- Please contact Mitsubishi Electric Corporation or an authorized Mitsubishi Semiconductor product distributor for further details on these materials or the products contained therein.