

# CM75DY-34A

HIGH POWER SWITCHING USE

### CM75DY-34A



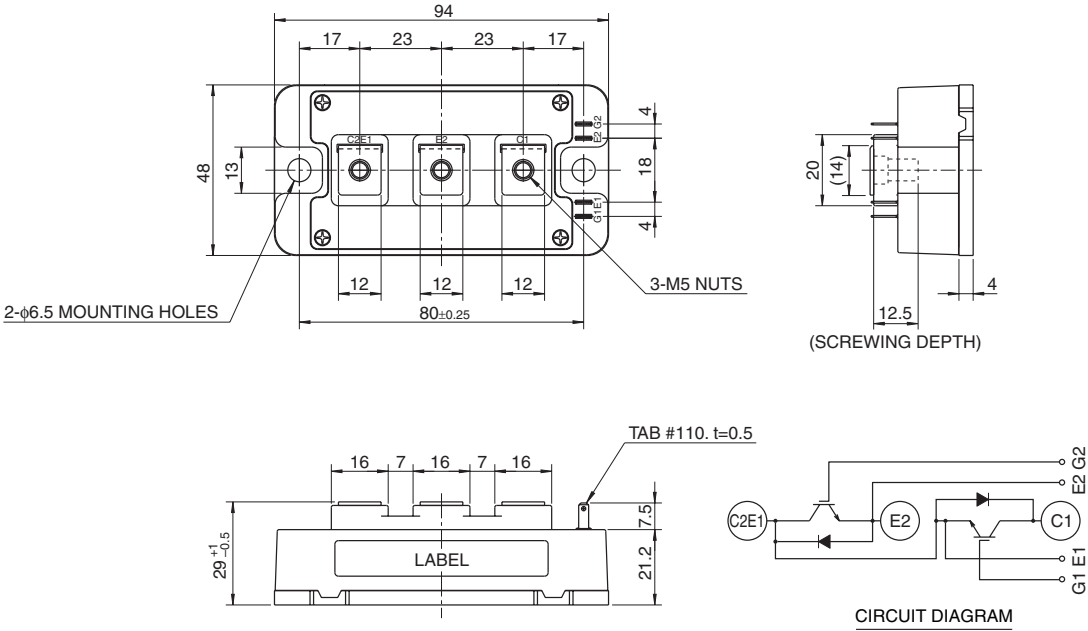
- IC ..... 75A
- VCES ..... 1700V
- Insulated Type
- 2-elements in a pack

### APPLICATION

General purpose inverters & Servo controls, etc

### OUTLINE DRAWING & CIRCUIT DIAGRAM

Dimensions in mm



CM75DY-34A

HIGH POWER SWITCHING USE

**ABSOLUTE MAXIMUM RATINGS** (T<sub>j</sub> = 25°C, unless otherwise specified)

Symbol	Parameter	Conditions	Ratings	Unit
V <sub>CE</sub> S	Collector-emitter voltage	G-E Short	1700	V
V <sub>GE</sub> S	Gate-emitter voltage	C-E Short	±20	V
I <sub>C</sub>	Collector current	DC, T <sub>c</sub> = 111°C <sup>*1</sup>	75	A
I <sub>CM</sub>		Pulse	150	
I <sub>E</sub> (Note 1)	Emitter current	Operation	75	A
I <sub>EM</sub> (Note 1)		Pulse	150	
P <sub>C</sub> (Note 3)	Maximum collector dissipation	T <sub>c</sub> = 25°C <sup>*1</sup>	780	W
T <sub>j</sub>	Junction temperature		-40 ~ +150	°C
T <sub>stg</sub>	Storage temperature		-40 ~ +125	°C
V <sub>iso</sub>	Isolation voltage	Terminals to base plate, f = 60Hz, AC 1 minute	3500	Vrms
—	Torque strength	Main terminals M5 screw	2.5 ~ 3.5	N • m
—		Mounting M6 screw	3.5 ~ 4.5	
—	Weight	Typical value	310	g

**ELECTRICAL CHARACTERISTICS** (T<sub>j</sub> = 25°C, unless otherwise specified)

Symbol	Parameter	Test conditions	Limits			Unit	
			Min.	Typ.	Max.		
I <sub>CE</sub> S	Collector cutoff current	V <sub>CE</sub> = V <sub>CE</sub> S, V <sub>GE</sub> = 0V	—	—	1	mA	
V <sub>GE(th)</sub>	Gate-emitter threshold voltage	I <sub>C</sub> = 7.5mA, V <sub>CE</sub> = 10V	5.5	7.0	8.5	V	
I <sub>GE</sub> S	Gate leakage current	±V <sub>GE</sub> = V <sub>GE</sub> S, V <sub>CE</sub> = 0V	—	—	2.0	µA	
V <sub>CE(sat)</sub>	Collector to emitter saturation voltage	I <sub>C</sub> = 75A, V <sub>GE</sub> = 15V	T <sub>j</sub> = 25°C	—	2.2	2.8	V
			T <sub>j</sub> = 125°C	—	2.45	—	
C <sub>ies</sub>	Input capacitance	V <sub>CE</sub> = 10V V <sub>GE</sub> = 0V	—	—	18.5	nF	
C <sub>oes</sub>	Output capacitance		—	—	2.1		
C <sub>res</sub>	Reverse transfer capacitance		—	—	0.4		
Q <sub>G</sub>	Total gate charge	V <sub>CC</sub> = 1000V, I <sub>C</sub> = 75A, V <sub>GE</sub> = 15V	—	500	—	nC	
t <sub>d(on)</sub>	Turn-on delay time	V <sub>CC</sub> = 1000V, I <sub>C</sub> = 75A V <sub>GE</sub> = ±15V R <sub>G</sub> = 6.4Ω, Inductive load I <sub>E</sub> = 75A	—	—	200	ns	
t <sub>r</sub>	Turn-on rise time		—	—	150		
t <sub>d(off)</sub>	Turn-off delay time		—	—	550		
t <sub>f</sub>	Turn-off fall time		—	—	350		
t <sub>rr</sub> (Note 1)	Reverse recovery time		—	—	300		
Q <sub>rr</sub> (Note 1)	Reverse recovery charge	—	7.5	—	µC		
V <sub>EC</sub> (Note 1)	Emitter-collector voltage	I <sub>E</sub> = 75A, V <sub>GE</sub> = 0V	—	—	3.0	V	
R <sub>th(j-c)Q</sub>	Thermal resistance	IGBT part (1/2 module) <sup>*1</sup>	—	—	0.16	K/W	
R <sub>th(j-c)R</sub>		FWDi part (1/2 module) <sup>*1</sup>	—	—	0.29		
R <sub>th(c-f)</sub>	Contact thermal resistance	Case to heat sink, Thermal compound applied (1/2 module) <sup>*1,*2</sup>	—	0.022	—		
R <sub>G</sub>	External gate resistance		6.4	—	64	Ω	

\*1 : Case temperature (T<sub>c</sub>), heat sink temperature (T<sub>t</sub>) measured point is just under the chips.

\*2 : Typical value is measured by using thermally conductive grease of λ = 0.9[W/(m • K)].

Note 1. I<sub>E</sub>, I<sub>EM</sub>, V<sub>EC</sub>, t<sub>rr</sub> & Q<sub>rr</sub> represent characteristics of the anti-parallel, emitter-collector free-wheel diode (FWDi).

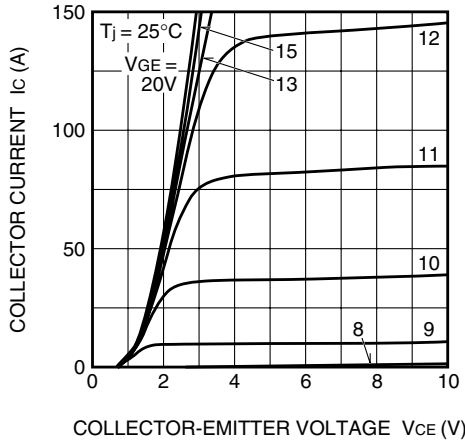
2. Pulse width and repetition rate should be such that the device junction temperature (T<sub>j</sub>) does not exceed T<sub>jmax</sub> rating.

3. Junction temperature (T<sub>j</sub>) should not increase beyond 150°C.

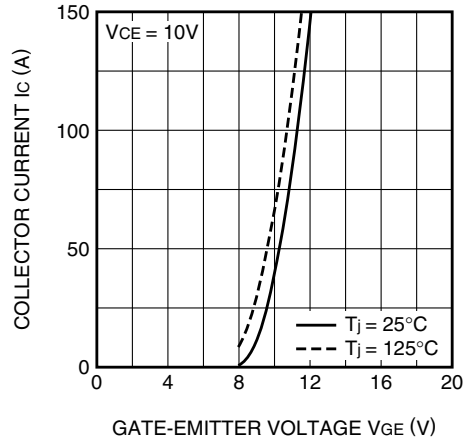
4. Pulse width and repetition rate should be such as to cause negligible temperature rise.

PERFORMANCE CURVES

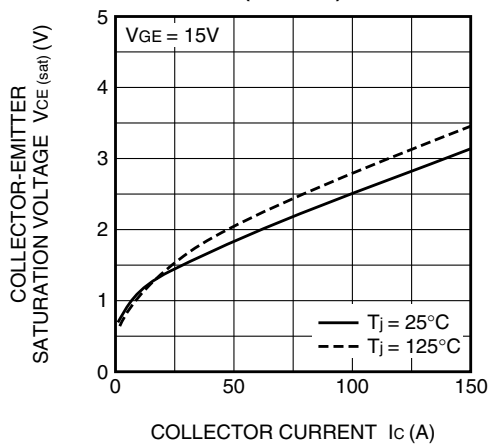
OUTPUT CHARACTERISTICS (TYPICAL)



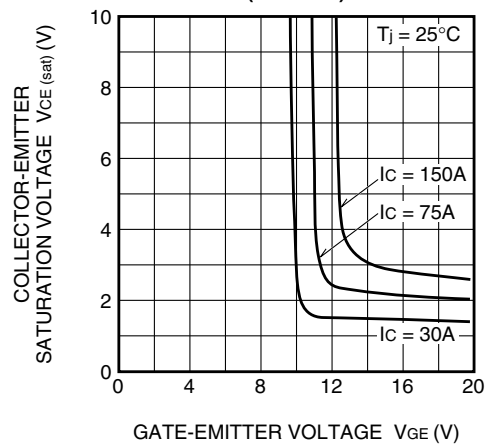
TRANSFER CHARACTERISTICS (TYPICAL)



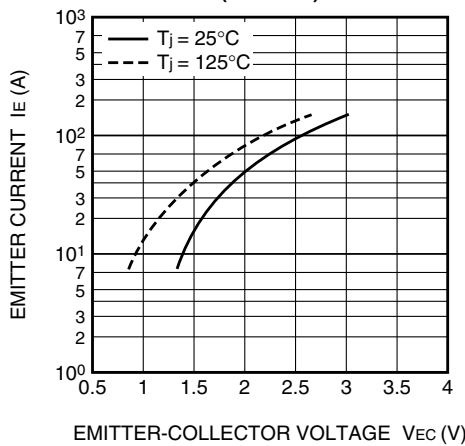
COLLECTOR-EMITTER SATURATION VOLTAGE CHARACTERISTICS (TYPICAL)



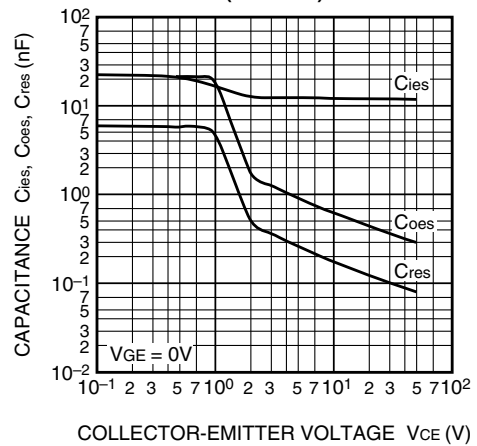
COLLECTOR-EMITTER SATURATION VOLTAGE CHARACTERISTICS (TYPICAL)



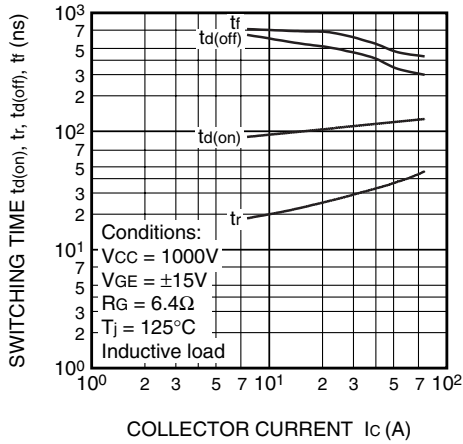
FREE-WHEEL DIODE FORWARD CHARACTERISTICS (TYPICAL)



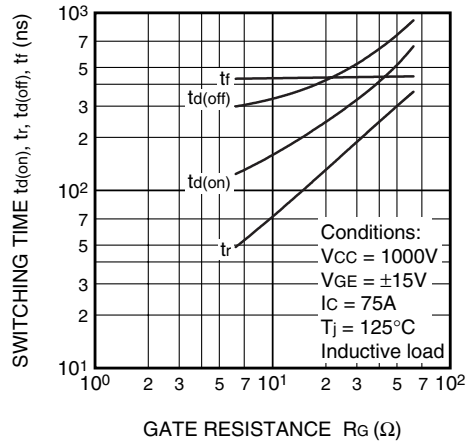
CAPACITANCE-VCE CHARACTERISTICS (TYPICAL)



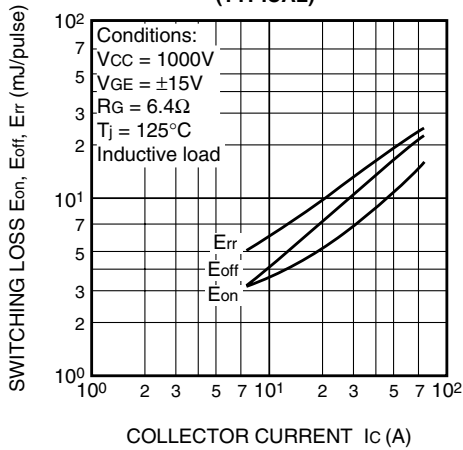
**HALF-BRIDGE SWITCHING CHARACTERISTICS SWITCHING TIME vs. COLLECTOR CURRENT (TYPICAL)**



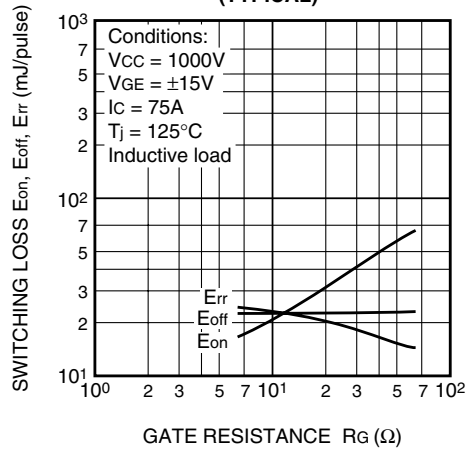
**HALF-BRIDGE SWITCHING CHARACTERISTICS SWITCHING TIME vs. GATE RESISTANCE (TYPICAL)**



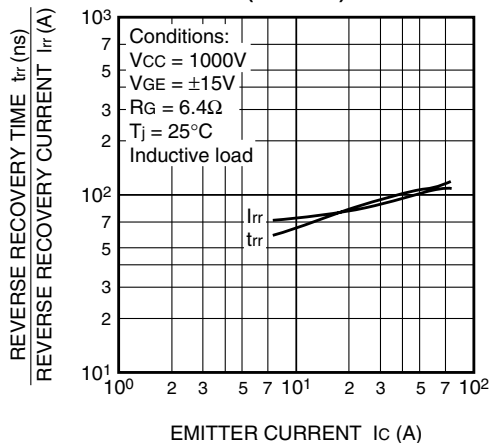
**SWITCHING LOSS vs. COLLECTOR CURRENT (TYPICAL)**



**SWITCHING LOSS vs. GATE RESISTANCE (TYPICAL)**



**REVERSE RECOVERY CHARACTERISTICS OF FREE-WHEEL DIODE (TYPICAL)**



**TRANSIENT THERMAL IMPEDANCE CHARACTERISTICS (IGBT part & FWDi part)**

